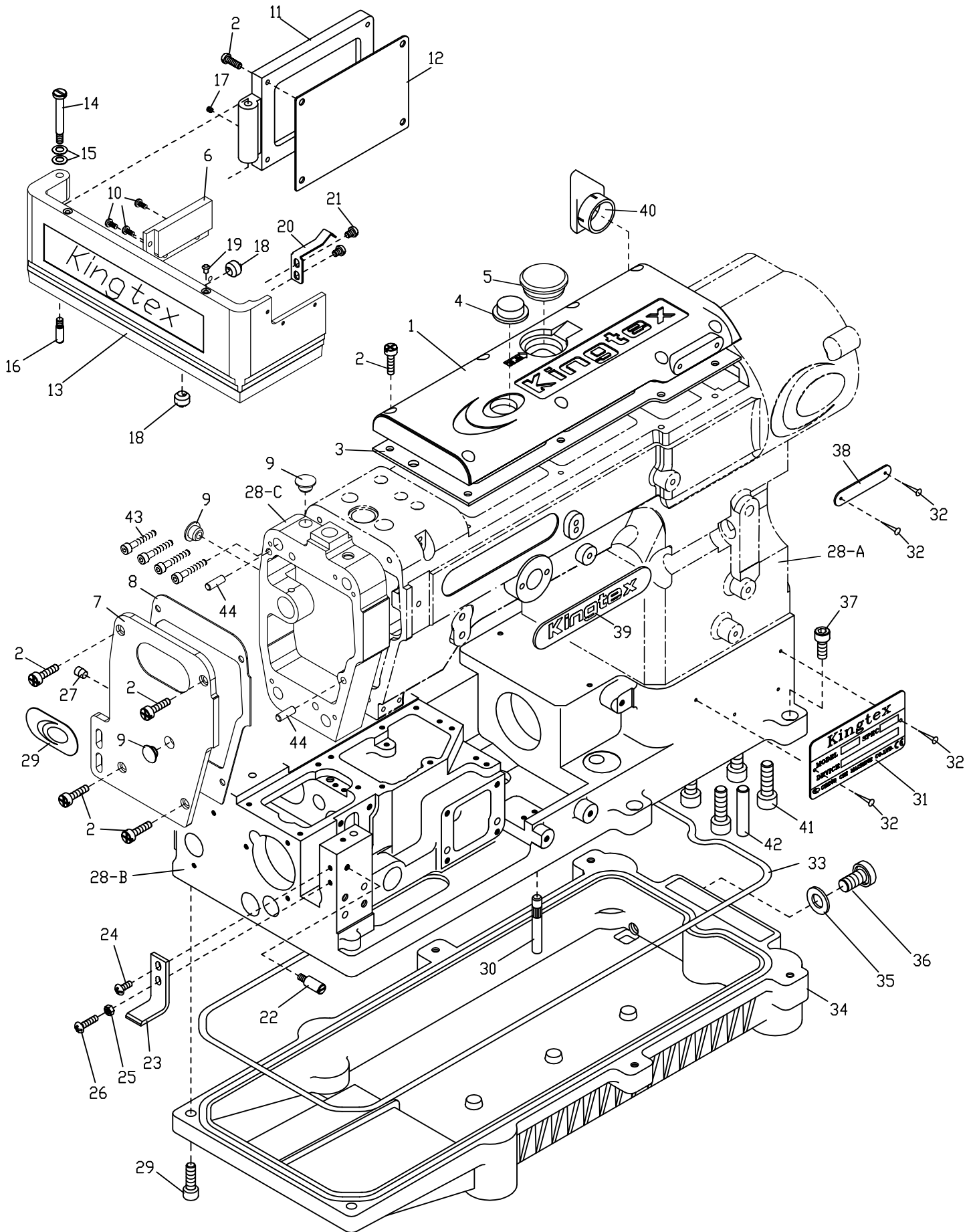


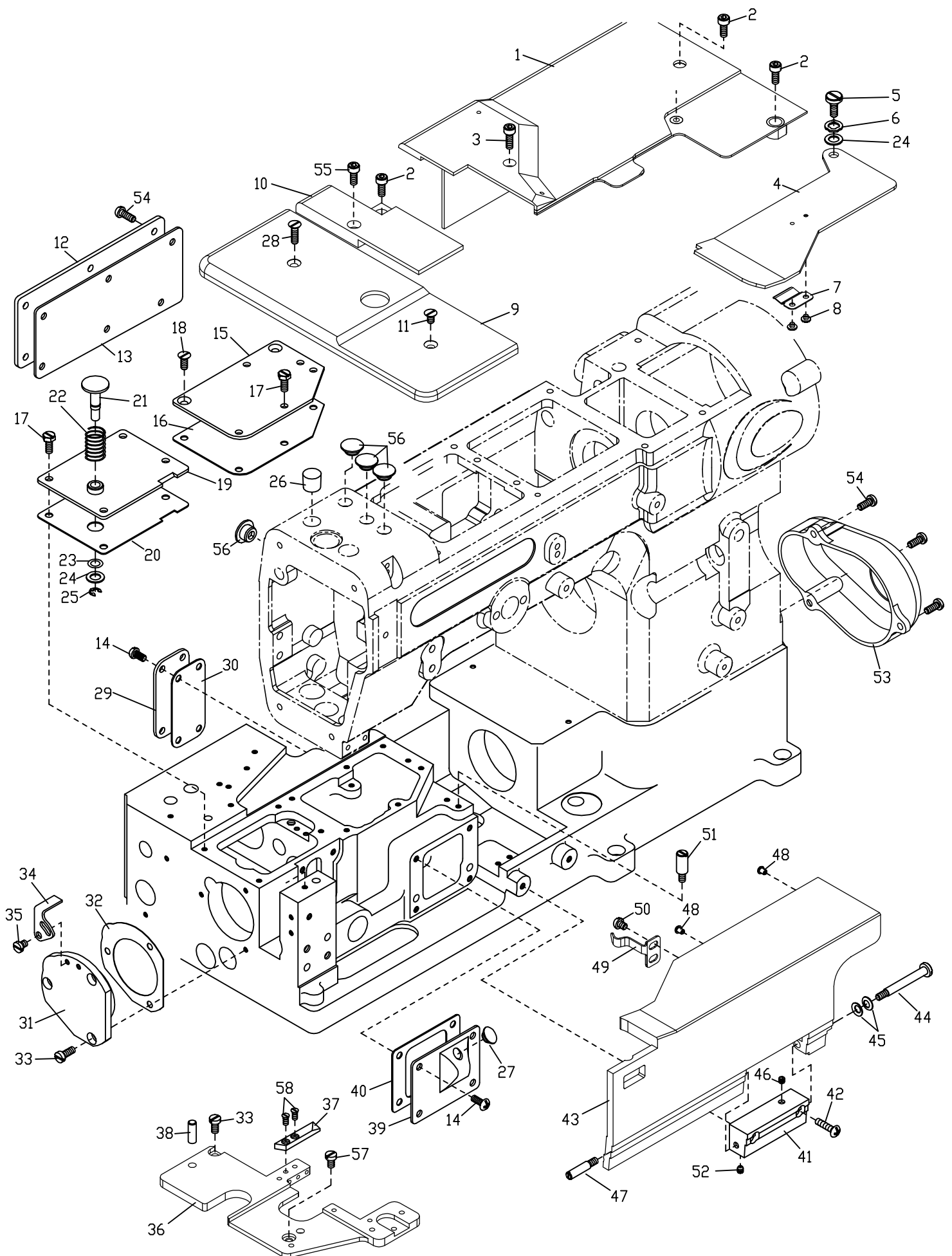
1. FTK2500 本體與外裝零件 Frame Components For FTK2500 (一)



1. FTK2500 本體與外裝零件 Frame Components For FTK2500 (一)

序號 Ref. No.	物料編號 Parts No.	名稱 Description	單位用量 Amt.Req.
1	2800000101	上軸蓋 Top Cover -----	1
2	8MC04281207D	螺絲 Screw (CT0102 M4-0.7*12) -----	16
3	22400001032	油封 Gasket -----	1
4	22400001041	油鏡 Oil Window -----	1
5	22200002552	孔塞 Plug -----	1
6	2800000106	擋片 Defender -----	1
7	2800000107	針棒蓋 Needle Cover -----	1
8	2800000108	油封 Gasket -----	1
9	22000001091	孔塞 Plug (CT01091)灰色 -----	3
10	8MB03200606K	螺絲 Screw (C12-07 M3-0.5*6) -----	3
11	2210000111	封蓋 Oil Filter Cover -----	1
12	22100001121	油封 Gasket -----	1
13	2800000113	側蓋 Oil Filter Cover -----	1
14	8MB04283809E	螺樁 Stud (CT0227 M4-0.7*38) -----	1
15	2200000228	孟形墊圈 Disk Washer (CT0228) -----	2
16	8MB04280605M	螺樁 Stud (CT0230 M4-0.7*6) -----	1
17	8MN04280400A	螺絲 Screw (CT0229 M4-0.7*4) -----	1
18	2210000118	減震橡膠 Rubber Cushion -----	2
19	22100001191	減震橡膠 Rubber Cushion -----	2
20	2210000120	夾簧 Latch Spring -----	1
21	8MC04280507D	螺絲 Screw (CT0122 M4-0.7*8) -----	2
22	8MB04280707M	螺樁 Stud (FT0122 M4-0.7*21) -----	1
23	2280000123	支架 Side Cover Holder -----	1
24	8MC04280807D	螺絲 Screw (CT0130 M4-0.7*8) -----	1
25	8MA04280307A	螺帽 Nut (CT0238 M4-0.7*3) -----	1
26	8MB04281607A	螺絲 Screw (CT0724 M4-0.7*16) -----	1
27	2200000136	孔塞 Plug (CT0136) -----	1
28	2800000128	車頭 Frame Unit -----	1
28-A	2800000128A	車頭上座 Frame Unit -----	1
28-B	2280000128B	車頭下座 Frame Unit -----	1
28-C	2800000128C	車頭上座前段 Frame Unit -----	1
29	66488-1	銘板 Plate -----	1
30	2210000130	下座腳樁 Supporting Bar -----	4
31	66485-1	車型銘板 Model Plate -----	1
32	66620	鉚釘 Rivet (6620) -----	4
33	2210000133	油封 Gasket -----	1
34	2210000134	油盤 Oil Reservoir -----	1
35	2100000244	油封 Seal (SH0244)-----	1
36	8SM95281017A	螺樁 Stud (SH0243 3/8"-28*10) -----	1
37	8MM06402010A	螺絲 Screw (SH0444 M6-1*20) -----	6
38	66480-14	機器號碼牌 Machine No. Plate -----	1
39	66485-9	上車頭銘板 Model Plate -----	1
40	22400001131	導風管 Guid Pipe-----	1
41	8MM10603016A	螺絲 Screw (CT0138 M10-1.5*30) -----	4
42	2200000139	定位銷 Knock Pin (CT0139)-----	2
43	8MM04282507B	螺絲 Screw (F07-19 M4-0.7*25) -----	4
44	4RP0010103	定位銷 Knock Pin -----	2

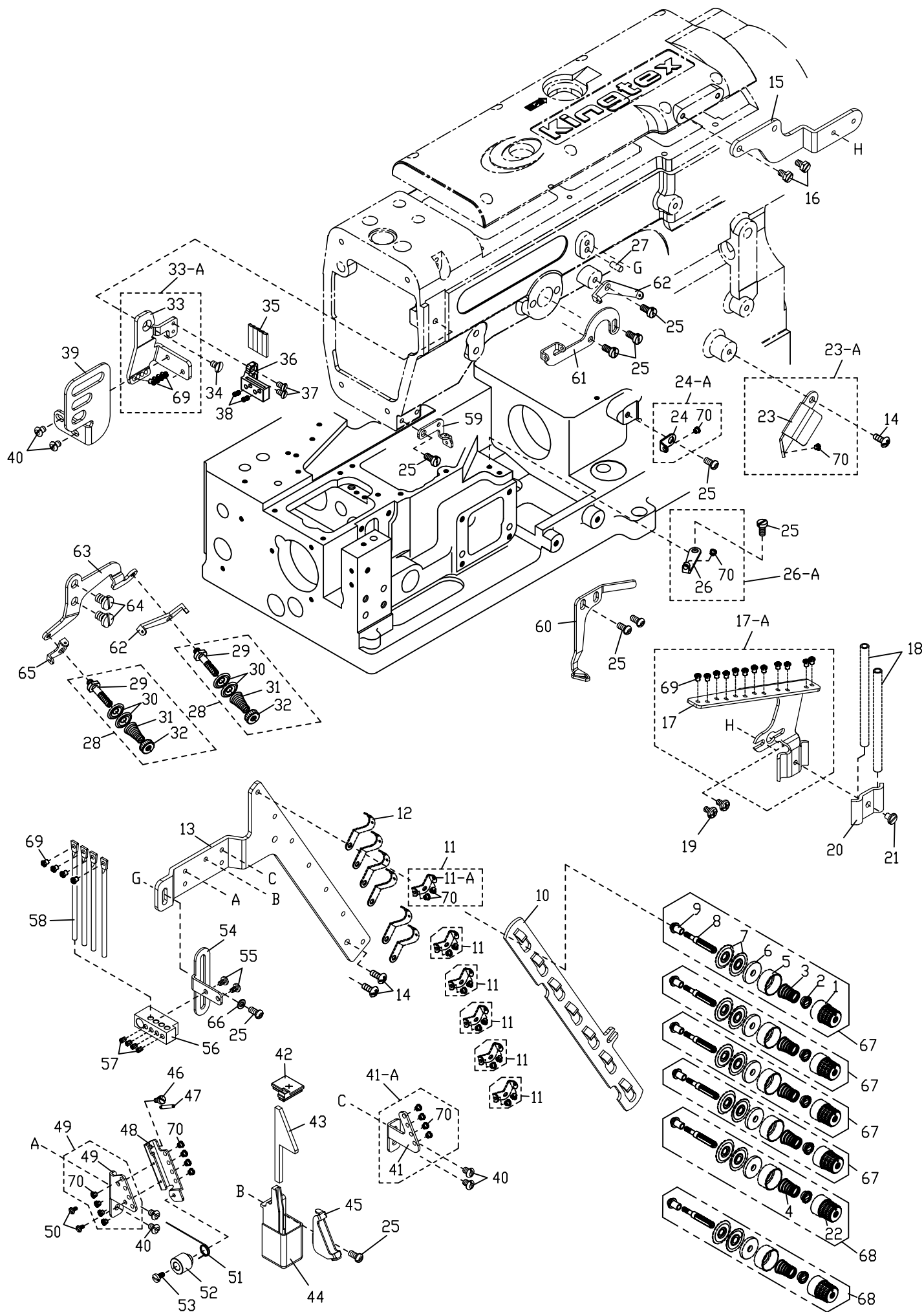
2. FTK2500 本體與外裝零件 Frame Components For FTK2500 (二)



2. FTK2500 本體與外裝零件 Frame Components For FTK2500 (二)

序號 Ref. No.	物料編號 Parts No.	名稱 Description	單位用量 Amt.Req.
1	280000201	封蓋 Rear Cover -----	1
2	8MM04280807A	螺絲 Screw(M01-24 M4-0.7*8) -----	3
3	8MM04281407A	螺絲 Screw (FT10-03 M4-0.7*14) -----	1
4	2800000204	護線蓋 Cloth Plate -----	1
5	8MB95301111G	螺絲 Screw (FTK-02-05 M4.5-0.75*6.5) -----	1
6	90WW060	波型墊圈 Wave Washer -----	1
7	2800000207	夾簧 Latch Spring -----	1
8	8MB03200306A	螺絲 Screw (FT0208 M3-0.5*2.5) -----	2
9	2800000209	左布板 Cloth Plate -----	1
10	2800000210	擋塊 Block -----	1
11	8ME04280708A	螺絲 Screw (C02-06 M4-0.7*7) -----	1
12	2200000210	封蓋 Rear Cover (CT0210) -----	1
13	22000002091	油封 Gasket (CT0209)-----	1
14	8MC04280807D	螺絲 Screw (CT0130 M4-0.7*8) -----	8
15	2210000215	封蓋 Oil Filter Cover -----	1
16	22100002161	油封 Gasket -----	1
17	8MK04281007A	螺絲 Screw (FT0217 M4-0.7*10) -----	9
18	8ME04281008A	螺絲 Screw (FT0218 M4-0.7*10) -----	2
19	22100002191	封蓋 Oil Filter Cover -----	1
20	22100002201	油封 Gasket -----	1
21	2210000221	止動銷 Stopper Pin -----	1
22	2210000222	彈簧 Spring -----	1
23	90OR060	油環 OIL Rin (P6)-----	1
24	2200000910	墊圈 Washer (CT0910) -----	2
25	90ER040	E形扣環 E Ring -----	1
26	22000002081	孔塞 Plug (CT02081) -----	1
27	22100002271	孔塞 Plug (FT02271) -----	1
28	8ME04281408A	螺絲 Screw (CT1140 M4-0.7*14) -----	1
29	2210000229	封蓋 Oil Filter Cover -----	1
30	22100002301	油封 Gasket -----	1
31	2210000231	軸承座 Crankshaft Bushing -----	1
32	22100002321	油封 Gasket -----	1
33	8MB04281007K	螺絲 Screw (CT1237 M4-0.7*10) -----	4
34	2210000234	止動鉤 Pushbutton Stop -----	1
35	8MB04280507K	螺絲 Screw (FT0235 M4-0.7*5) -----	2
36	4TCS340118	針板座 Needle Plate Seat -----	1
37	2800000237	擋塊 Block -----	1
38	2200001133	定位銷 Knock Pin -----	2
39	2210000239	封蓋 Oil Filter Cover -----	1
40	2210000240	油封 Gasket -----	1
41	2280000241	絞鏈 Hinge -----	1
42	8MC04281407D	螺絲 Screw (CT0225 M4-0.7*14) -----	2
43	2800000243	下座前蓋 Front Cover -----	1
44	8MB04284209E	螺樁 Stand (FT0244 M4-0.7*42) -----	1
45	2200000228	孟形墊圈 Disk Washer (CT0228) -----	2
46	8MN04280400A	螺絲 Screw (CT0229 M4-0.7*4)-----	1
47	8MB04280705M	螺樁 Stand (FT0247 M4-0.7*7) -----	1
48	22100001191	減震橡膠 Rubber Cushion -----	2
49	2800000249	夾簧 Latch Spring -----	1
50	8MC04280507D	螺絲 Screw (CT0122 M4-0.7*5) -----	2
51	8MB04280707M	螺樁 Stand (FT0122 M4-0.7*7) -----	1
52	8MN04280500C	螺絲 Screw (FT1222 M4-0.7*5) -----	1
53	2230000253	側蓋 Side Cover -----	1
54	8MC04281007D	螺絲 Screw (CT0113 M4-0.7*10) -----	9
55	8MM04281007A	螺絲 Screw(FT0203 M4-0.7*10) -----	1
56	22000001091	孔塞 Plug (CT01091)-----	4
57	8MB04280607K	螺絲 Screw (M02-33 M4-0.7*6) -----	1
58	8SF36400705A	螺絲 Screw (NT67-05-05 9/64"-40*7.5) -----	2

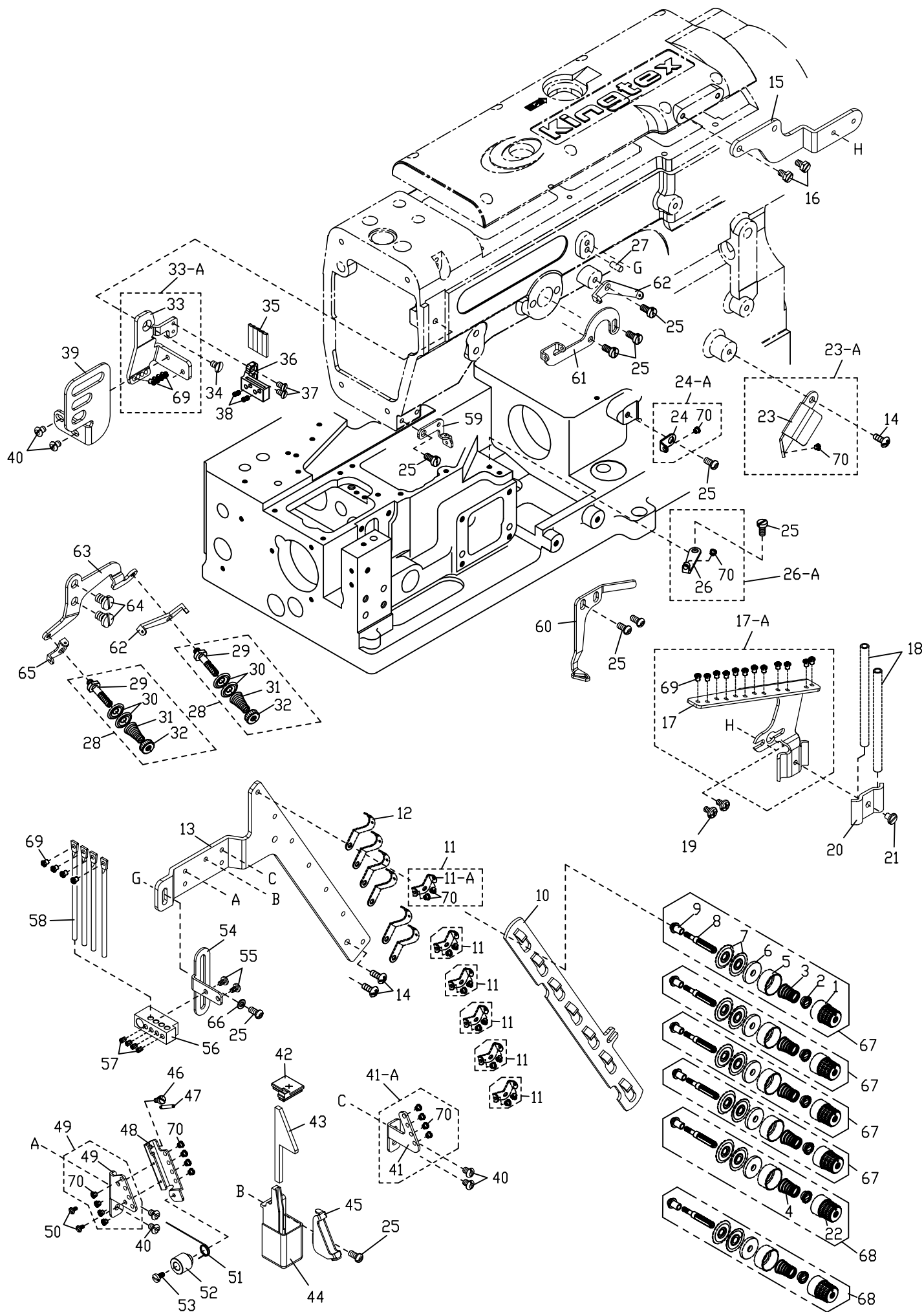
3. FTK2500 導線與張力調整零件 Thread Guide Tension Components For FTK2500



3. FTK2500 導針與張力調整零件 Thread Guide And Tension Components For FTK2500

序號 Ref. No.	物料編號 Parts No.	名稱 Description	單位用量 Amt.Req.
1	2100001121	張力調整螺帽 Tension Nut (Red) (SH1121)-----	4
2	2200000303	套管 Bushing (CT0303) -----	6
3	2100001123	彈簧 Spring (Red) -----	4
4	2100001132	彈簧 Spring (Blue) -----	2
5	2200000305	彈簧座 Spring Seat (CT0305) -----	6
6	2100001127	羊毛氈 Felt (SH1127) -----	6
7	2100001126	張力控制盤 Tension Disc (SH1126) -----	12
8	22000003081	螺樁 Stud -----	6
9	22000003091	隔環 Spacer -----	6
10	2800000310	鬆線滑板 Release Wedge -----	1
11	2600000355	導線組 Thread Guide Set -----	6
11-A	2600000355A	導線 Thread Guide -----	6
12	2200000312	導線 Thread Guide (CT0312)-----	6
13	2800000313	張力控制組座 Tension Post Support -----	1
14	8MC04280807D	螺絲 Screw (CT0130 M4-0.7*8) -----	3
15	2800000315	支架 Side Cover Holder -----	1
16	8MK04280707A	螺絲 Screw (UT12A-01-26 M4-0.7*7) -----	2
17	28000003171	導線架 Thread Guide Plate -----	1
17-A	280A0000317	導線架組 Thread Guide Plate Set -----	1
18	2200000327	導線管 Thread Guide Pipe -----	2
19	8MC04280608D	螺絲 Screw (UH01-69 M4-0.7*6) -----	2
20	2800000320	導線管座 Thread Guide Holder -----	1
21	8MB04280508A	螺絲 Screw (UTB2-01-27 M4-0.7*5.5) -----	1
22	2100001121B	張力調整螺帽 Tension Nut (Blue) (SH1121)-----	2
23	28000003231	導線 Thread Guide -----	1
23-A	280A0000323	導線組 Thread Guide Set -----	1
24	2800000324	導線 Thread Guide -----	1
24-A	280A0000324	導線組 Thread Guide Set -----	1
25	8MB04280807K	螺絲 Screw (CT0215 M4-0.7*8) -----	10
26	2800000326	導線 Thread Guide -----	1
26-A	280A0000326	導線組 Thread Guide Set -----	1
27	90ST0410	定位銷 Knock Pin -----	1
28	227A0000342	張力控制組 Thread Retainer Asm -----	2
29	2200000354	螺樁 Stud (CT0354) -----	2
30	2200000355	張力控制盤 Tension Disc (CT0355) -----	4
31	2200000356	彈簧 Spring (CT0356) -----	2
32	2200000357	螺帽 Nut (CT0357) -----	2
33	28000003331	導線 Thread Guide (CT0345) -----	1
33-A	280A0000333	導線組 Thread Guide Set -----	1
34	8ME04280708A	螺絲 Screw (CT0206 M4-0.7*7) -----	1
35	28000003351	針線頂桿 Needle Thread Strike-off Pin -----	4
36	2800000336	針線頂桿座 Needle Thread Strike-off Pin Holder -----	1
37	8ME85240706A	螺絲 Screw (FTK25-03-37 M3.5-0.6*6.5) -----	2
38	8MH85240300A	螺絲 Screw (CT0813 M3.5-0.6*3) -----	4
39	28000003391	揚線臂護線罩 Takeup Arm Protect (CT0359)-----	1
40	8MB04280507K	螺絲 Screw (FT0235 M4-0.7*5) -----	6

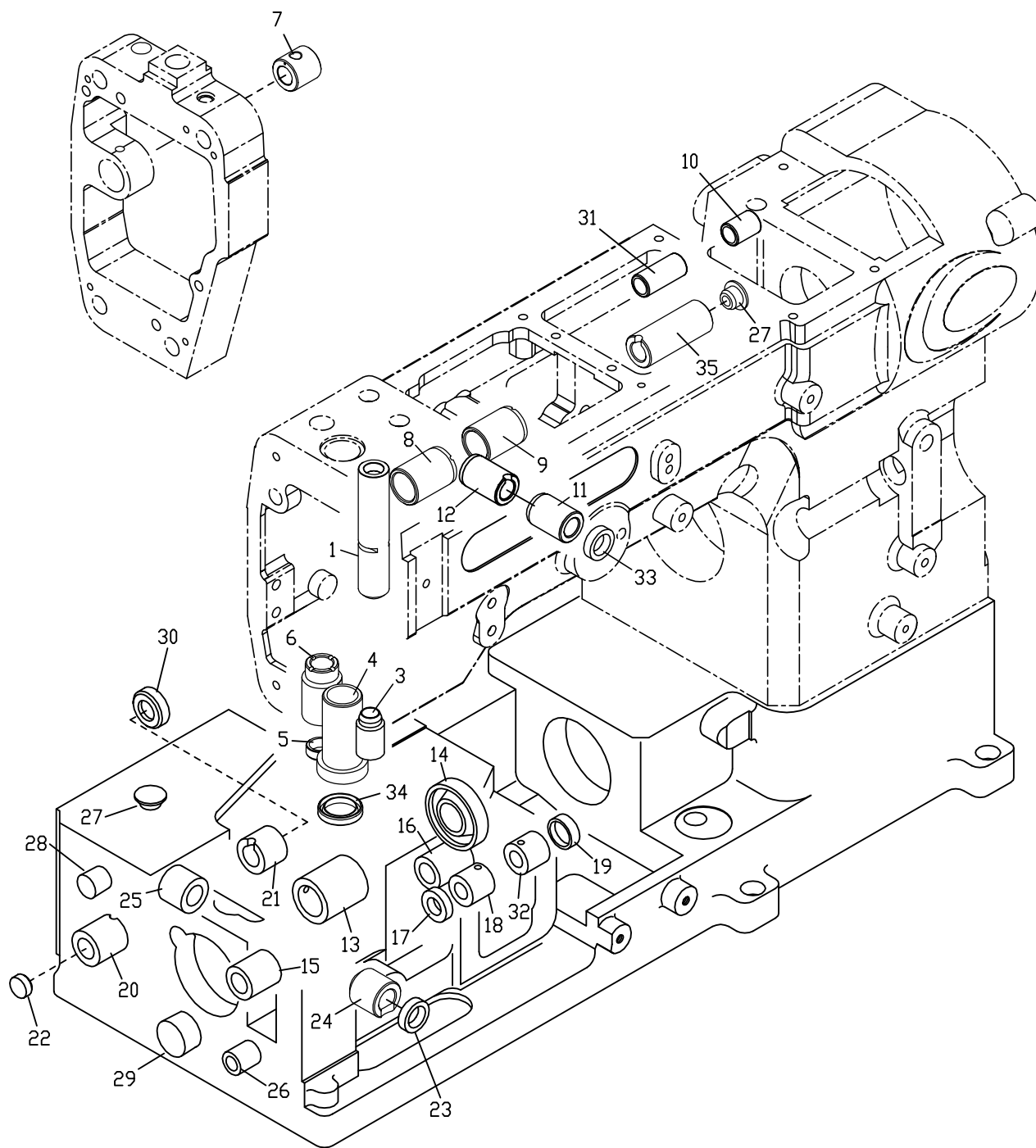
3. FTK2500 導線與張力調整零件 Thread Guide Tension Components For FTK2500



3. FTK2500 導針與張力調整零件 Thread Guide And Tension Components For FTK2500

序號 Ref. No.	物料編號 Parts No.	名稱 Description	單位用量 Amt.Req.
41	28000003411	導線 Thread Guide -----	1
41-A	280A0000341	導線組 Thread Guide Set -----	1
42	2800000342	油杯蓋 Cooler Oil Tank Cover -----	1
43	2800000343	羊毛氈 Felt -----	1
44	2800000344	油杯 Cooler Oil Tank -----	1
45	2800000345	羊毛氈座 Felt Holder -----	1
46	8SC32440608A	螺絲 Screw (NT67-12-05 1/8"-44*6) -----	1
47	240013045	螺絲 Screw -----	1
48	240013083	針線止逆壓簧座 Stitch Unlocker Mounting Bracket -----	1
49	28000003491	導線 Thread Guide -----	1
49-A	280A0000349	導線組 Thread Guide Set -----	1
50	8SB24560405B	螺絲 Screw (NT67-08-39 3/32"-56*3.4) -----	2
51	2400130432	針線止逆壓簧 Stitch Unlocker Spring -----	1
52	2400130441	調壓旋鈕 Stitch Unlocker Spring Holder -----	1
53	8SC32440606A	螺絲 Screw (NT67-13-34 1/8"-44*6) -----	1
54	2800000354	支架 Side Cover Holder -----	1
55	8SB32440506A	螺絲 Screw (NT67-13-22 1/8"-44*5) -----	2
56	240013080	導線桿座 Needle Thread Eyelet Holder -----	1
57	8SG32440400A	螺絲 Screw (NT67-13-27 1/8"-44*4) -----	4
58	240013081	導線桿 Needle Thread Eyelet -----	4
59	2800000359	導線 Thread Guide -----	1
60	2800000360	導線 Thread Guide -----	1
61	2800000361	導線 Thread Guide -----	1
62	2200000353	導線 Thread Guide (CT0353) -----	2
63	2800000363	導線 Thread Guide -----	1
64	8MC06400810A	螺絲 Screw (M02-48 M6-1*8) -----	2
65	2270000317	導線 Thread Guide -----	1
66	2100000223	墊圈 Washer -----	1
67	231A0001922	張力控制組 Thread Asm. (Red) -----	4
68	231A0001923	張力控制組 Thread Asm. (Blue) -----	2
69	240013088	磁導線環 Thread Eyelet -----	20
70	240013087	磁導線環 Thread Eyelet -----	27

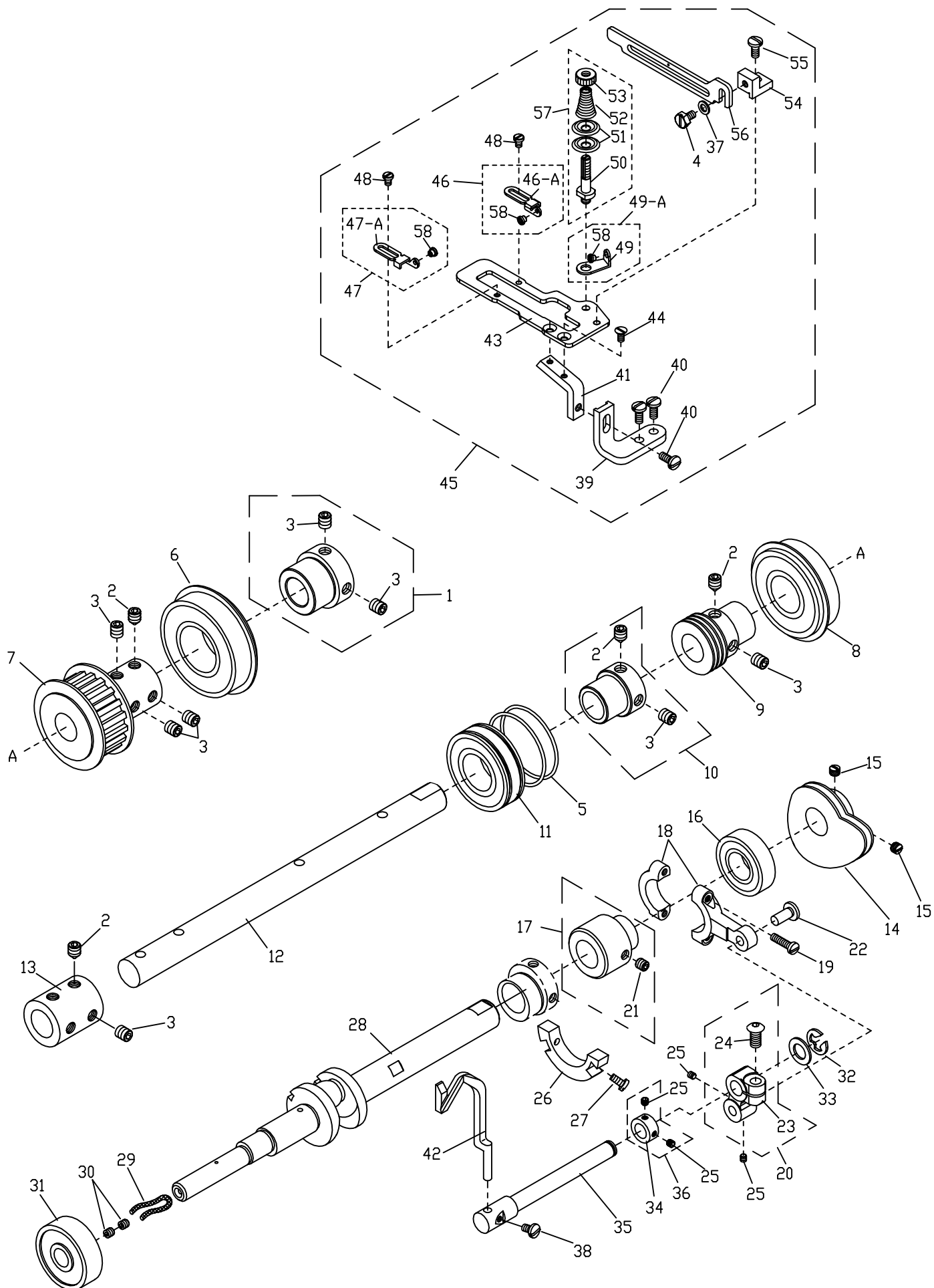
4. FTK2500 軸襯與油封 Bushing And Seal For FTK2500



4. FTK2500 軸襯與油封 Bushing And Seal For FTK2500

序號 Ref. No.	物料編號 Parts No.	名稱 Description	單位用量 Amt.Req.
1	2800000401	軸襯 Bushing -----	1
2	22000001091	孔塞 Plug (CT01091)-----	1
3	2210000403	軸襯 Bushing -----	1
4	2800000404	軸襯 Bushing -----	1
5	2800000405	孔塞 Plug -----	1
6	2800000406	軸襯 Bushing -----	1
7	2800000407	軸襯 Bushing -----	1
8	2800000408	軸襯 Bushing -----	1
9	2800000409	軸襯 Bushing -----	1
10	2240000409	軸襯 Bushing -----	1
11	22000004101	軸襯 Bushing (CT0410) -----	1
12	2200000411	軸襯 Bushing (CT0411) -----	1
13	2210000413	軸襯 Bushing -----	1
14	2210000414	油封 Oil Seal -----	1
15	2210000415	軸襯 Bushing -----	1
16	2210000416	軸襯 Bushing -----	1
17	2210000417	油封 Oil Seal -----	1
18	2210000418	軸襯 Bushing (Left) -----	1
19	22100004191	孔塞 Plug -----	1
20	22100004201	軸襯 Bushing -----	1
21	22100004211	軸襯 Bushing -----	1
22	22100004221	孔塞 Plug -----	1
23	2210000423	油封 Oil Seal -----	1
24	22100004241	軸襯 Bushing -----	1
25	2210000425	軸襯 Bushing -----	1
26	2210000426	軸襯 Bushing -----	1
27	22000001091	孔塞 Plug (CT01091) -----	2
28	22000002081	孔塞 Plug (CT02081) -----	1
29	22100004291	孔塞 Plug -----	1
30	22100004301	孔塞 Plug -----	1
31	2240000422	軸襯 Bushing -----	1
32	2210000432	軸襯 Bushing (Right) -----	1
33	2200000404	油封 Oil Seal (CT0404) -----	1
34	2800000434	油封 Oil Seal -----	1
35	2800000435	軸襯 Bushing -----	1

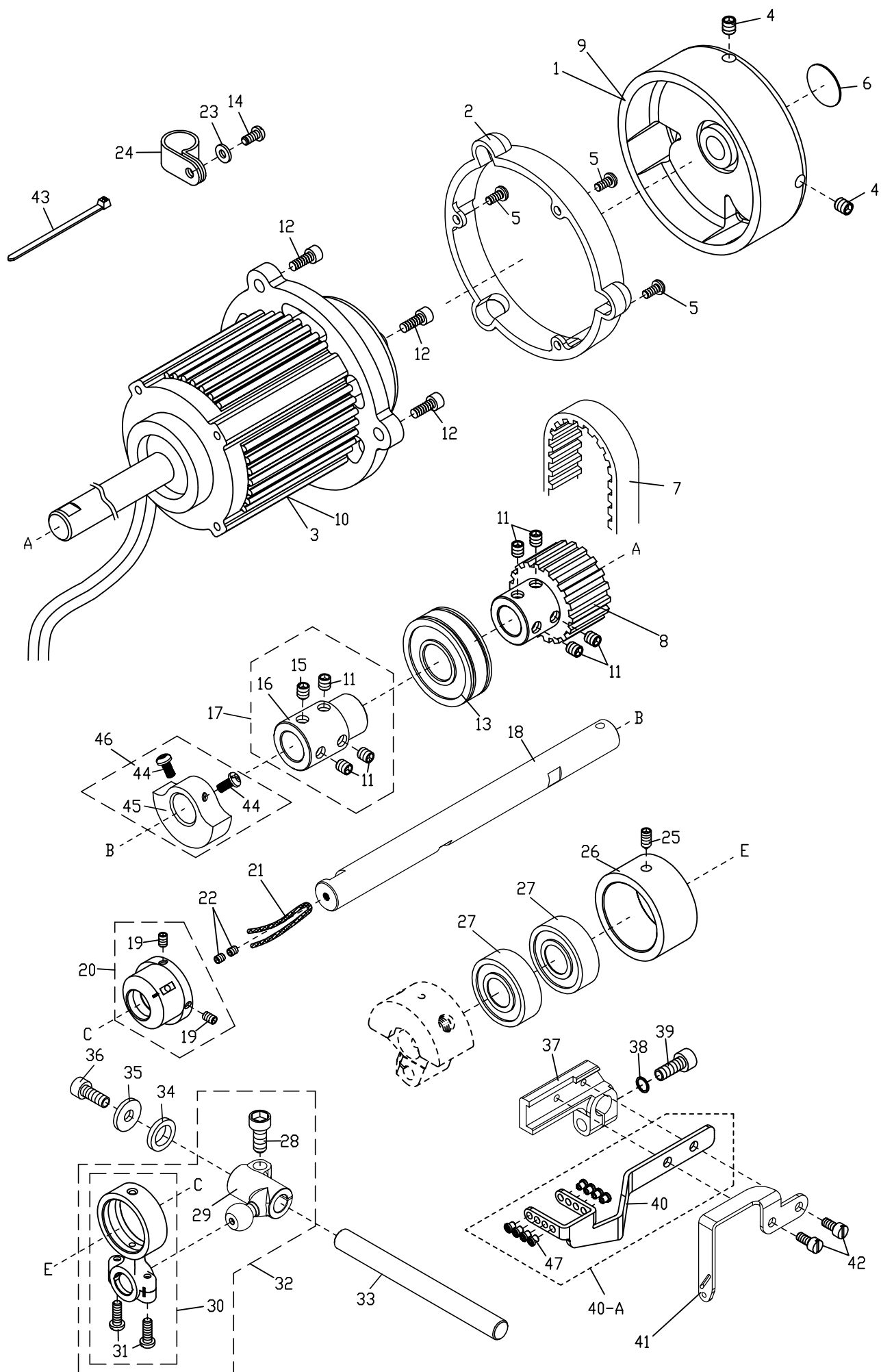
5. FTK2500 下軸與相關零件 Lower Main Shaft Components



5. FTK2500 下軸與相關零件 Lower Main Shaft Components

序號 Ref. No.	物料編號 Parts No.	名稱 Description	單位用量 Amt.Req.
1	2230000501	套管 Bushing -----	1
2	8MN06400800C	螺絲 Screw (FT0502 M6-1*8) -----	5
3	8MN06400600A	螺絲 Screw (C0244 M6-1*6) -----	9
4	8MK85240807A	螺絲 Screw (FT0504 M3.5-0.6*8) -----	1
5	2200000547	O形油環 O Ring (CT0547) -----	2
6	90BB2552154	滾珠軸承 Ball Bearing (CT0504) -----	1
7	2240000505	齒形皮帶輪 Timeing Pulley (CT0505) -----	1
8	90BB2047144	滾珠軸承 Ball Bearing (CT0506) -----	1
9	2210000509	蝸桿 Worm -----	1
10	2210000610	套管 Bushing -----	1
11	90BB2042126	滾珠軸承 Ball Bearing -----	1
12	2230000512	軸 Shaft -----	1
13	2210000513	連軸器 Shaft Joint -----	1
14	2800000514	揚線凸輪 Looper Thread Takeup Cam -----	1
15	8MH05320400A	螺絲 Screw (C0523 M5-0.8*4)-----	2
16	90BB153209	滾珠軸承 Ball Bearing -----	1
17	2800000517	偏心輪組 Eccentric Asm. (F0520A) -----	1
18	2210000518	連桿 Connecting Rod -----	1
19	8MB85241306K	螺絲 Screw (FT0519 M3.5-0.6*13) -----	2
20	221A00005601	曲柄組 Collar Asm. -----	1
21	8MN05320500E	螺絲 Screw (C0903 M5-0.8*5) -----	2
22	2210000522	連結銷 Connecting Pin -----	1
23	22100005231	曲柄 Lever -----	1
24	8MP05321210A	螺絲 Screw (UTB1-03-40 M5-0.8*11.5) -----	1
25	8MN03200300A	螺絲 Screw (C0115 M3-0.5*3) -----	4
26	2210000526	配重環 Counterweight -----	1
27	8MB03200606K	螺絲 Screw (C1207 M3-0.5*6) -----	2
28	2800000528	曲軸 Crank Shaft -----	1
29	66800	油線 Oil Wick -----	1
30	8MN04280400A	螺絲 Screw (C0229 M4-0.7*4) -----	2
31	90BB103511	滾珠軸承 Ball Bearing -----	1
32	90ER060	E形扣環 E Ring -----	1
33	2210000533	墊圈 Washer -----	1
34	2210000534	定位環 Collar -----	1
35	2800000535	後導針器驅動軸 Driving Shaft -----	1
36	221A0000563	定位環組 Collar Asm. (F0534A)-----	1
37	2100000223	墊圈 Washer (W3) -----	1
38	8MB85240407A	螺絲 Screw (FT0538 M3.5-0.6*5) -----	1
39	2210000539	支架 Support -----	1
40	8MB04280807K	螺絲 Screw (C0215 M4-0.7*8) -----	3
41	2210000541	承扳支臂 Support -----	1
42	5221NG00562	後導針器 Needle Guide -----	1
43	2800000543	導線承板 Thread Guide Seat -----	1
44	8ME03200606A	螺絲 Screw (C0235 M3-0.5*6) -----	2
45	280A0000545	導線組 Thread Guide Asm. (F0539A)-----	1
46	26000005511	導線組 Thread Guide Asm. -----	1
46-A	26000005511A	導線 Thread Guide -----	1
47	26000005521	導線組 Thread Guide Asm. -----	1
47-A	26000005521A	導線 Thread Guide -----	1
48	8MB75180405A	螺絲 Screw (C05-29 M2.5-0.45*3.5) -----	2
49	2800000324	導線 Thread Guide -----	1
49-A	280A0000324	導線組 Thread Guide Set -----	1
50	2200000354	螺椿 Stud (CT0354)-----	1
51	2200000355	張力控制盤 Tension Disc (CT0355) -----	2
52	2200000356	錐形彈簧 Spring (CT0356) -----	1
53	2200000357	螺帽 Nut (CT0357) -----	1
54	2210000554	支架 Support -----	1
55	8MB85240807K	螺絲 Screw (F0555 M3.5-0.6*8) -----	1
56	2210000556	導線 Thread Guide -----	1
57	227A0000342	張力控制組 Thread Retainer Asm -----	1
58	240013087	磁導線環 Thread Eyelet -----	3

6. FTK2500 上軸與相關零件 Upper Main Shaft Components



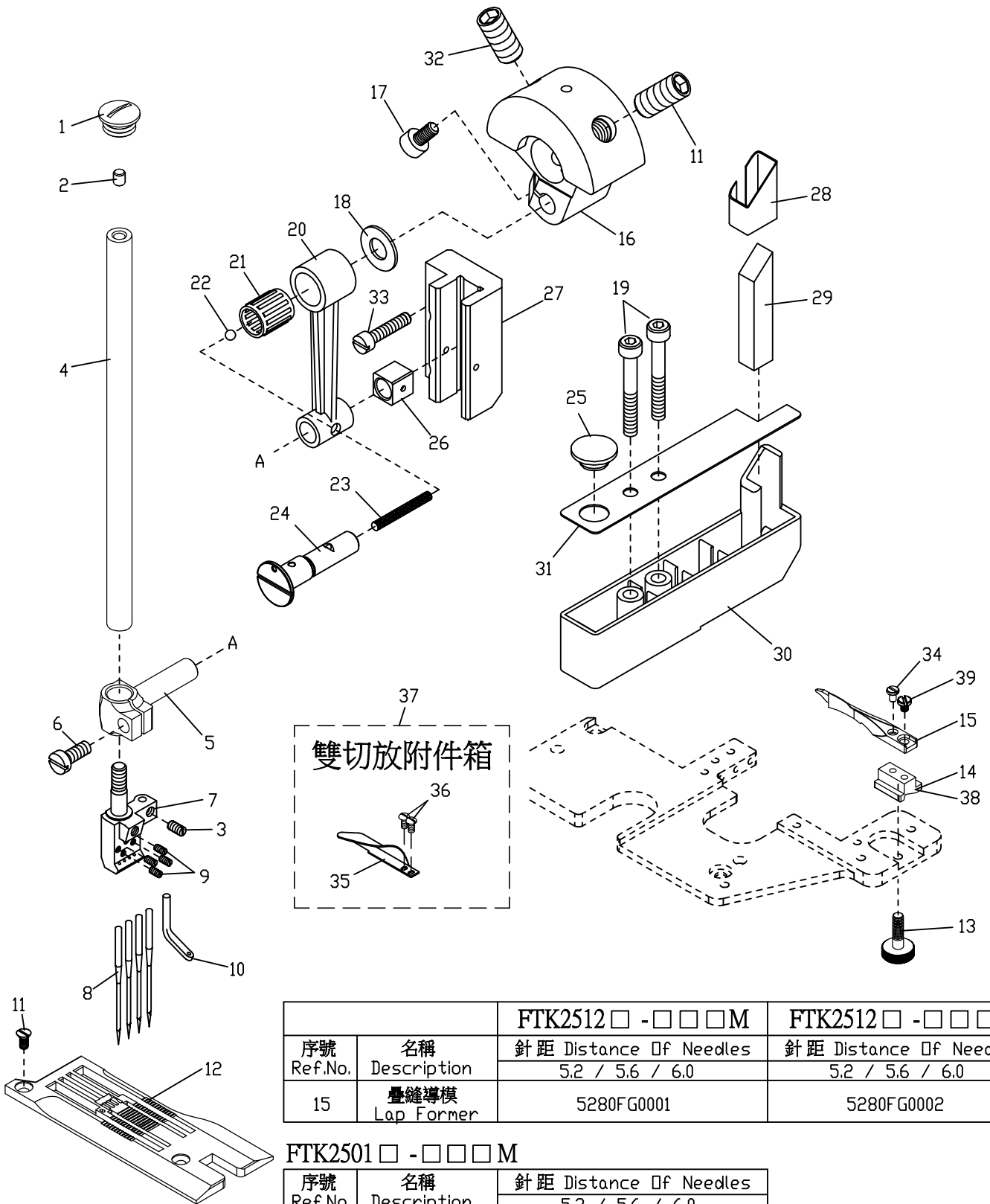
6. FTK2500 上軸與相關零件 Upper Main Shaft Components

序號 Ref.No.	物料編號 Parts No.	名稱 Description	單位用量 Amt. Req.
◎1	2230000601	賀欣手輪 Handwheel -----	1
2	2240000602	護蓋 Cover -----	1
◎3	22400006032	賀欣迷你馬達 Mini Motor -----	1
4	8MN06400800A	螺絲 Screw (CT0549 M6-1*8) -----	2
5	8MP04280808A	螺絲 Screw (MT0235 M4-0.7*8) -----	3
6	66485-10	銘板 Plate -----	1
7	2200000607	齒形皮帶 Timing Belt -----	1
8	22400006081	齒形皮帶輪 Timing Pulley -----	1
◎9	2230000601S	崧慶手輪 Handwheel -----	1
◎10	2240000603S	崧慶迷你馬達 Mini Motor -----	1
11	8MN06400600A	螺絲 Screw(CT0244 M6-1*6) -----	7
12	8MM06401610A	螺絲 Screw (CT0625 M6-1*16) -----	3
13	90BB204714	滾珠軸承 Ball Bearing -----	1
14	8MB04280807K	螺絲 Screw (C02-15 M4-0.7*8)-----	1
15	8MN06400600C	螺絲 Screw(C806-17 M6-1*6) -----	1
16	2200000610	套管接頭 Joint -----	1
17	227411A0617	套管接頭組 Joint Asm -----	1
18	2800000618	曲軸 Crank Shaft -----	1
19	8MN05320500E	螺絲 Screw(CT0903 M5-0.8*5) -----	2
20	2800000620	偏心輪 Eccentric -----	1
21	66800	油線 Oil Wick -----	1
22	8MN04280400A	螺絲 Screw (CT0229 M4-0.7*4) -----	2
23	2100000223	墊圈 Washer -----	1
24	4MN0210108	線夾 Cord Clamp-----	1
25	8MN06400800C	螺絲 Screw(FT05-02 M6-1*8) -----	1
26	2240000612	軸承套筒 Bearing Sleeve -----	1
27	90BB1535115	滾珠軸承 Ball Bearing -----	2
28	8MM06401210A	螺絲 Screw (F11-03 M6-1*12) -----	1
29	2274110629	曲柄 Ball Lever -----	1
30	22741106301	連桿 Connecting Rod -----	1
31	8MB04281207K	螺絲 Screw(CT0239 M4-0.7*12) -----	2
32	227411A0632	連桿組 Connecting Rod Asm -----	1
33	2800000633	軸 Shaft -----	1
34	2274110634	墊圈 Washer -----	1
35	2200000627	墊圈 Washer -----	1
36	8MM05321009A	螺絲 Screw (CT0626 M5-08*10) -----	1
37	2800000637	承座 Bracket -----	1
38	90SW050	彈簧墊圈 Spring Washer -----	1
39	8MM05321409A	螺絲 Screw (CT0632 M5-0.8*14) -----	1
40	28000006401	針線揚線桿 Thread Take-up -----	1
40-A	280A0000640	針線揚線桿組 Thread Take-up Set -----	1
41	2800000641	裝飾線揚線桿 Thread Take-up -----	1
42	8MB85240807K	螺絲 Screw (FT0555 M3.5-0.6*8) -----	2
43	4UTB020306	束線Plastic Binding Wire-----	1
44	8MB04280807K	螺絲 Screw(CT0215 M4-0.7*8) -----	2
45	2200000509	平衡錘 Balance Weight -----	1
46	222A0000647	平衡錘組 Balance Weight Asm -----	1
47	240013088	磁導線環 Thread Eyelet -----	8

◎ FTK2500 馬達選購 (Motor Optional) :

廠商 Company	序號 Ref. No.	
賀欣 Hohsing	1	3
崧慶 Shokei	9	10

7. FTK2500 針棒與相關零件 Needle Bar Components For FTK2500



		FTK2512□ - □□□M	FTK2512□ - □□□H
序號 Ref.No.	名稱 Description	針距 Distance Of Needles 5.2 / 5.6 / 6.0	針距 Distance Of Needles 5.2 / 5.6 / 6.0
15	疊縫導模 Lap Former	5280FG0001	5280FG0002

FTK2501□ - □□□M

		針距 Distance Of Needles
序號 Ref.No.	名稱 Description	5.2 / 5.6 / 6.0
35	導模 Fabric Guide	2800000735
37	導模組 Fabric Guide Asm	280A0000737

		針距 Distance Of Needles		
序號 Ref.No.	名稱 Description	4 Needle/5.2	3 Needle/5.6	4 Needle/6.0
7	針留 Needle Clamp	5280NC60520	5280NC60560	5280NC60600
12	針板 Needle Plate	5280TP60521	5280TP60561	5280TP60601

7. FTK2500 針棒與相關零件 Needle Bar Components For FTK2500

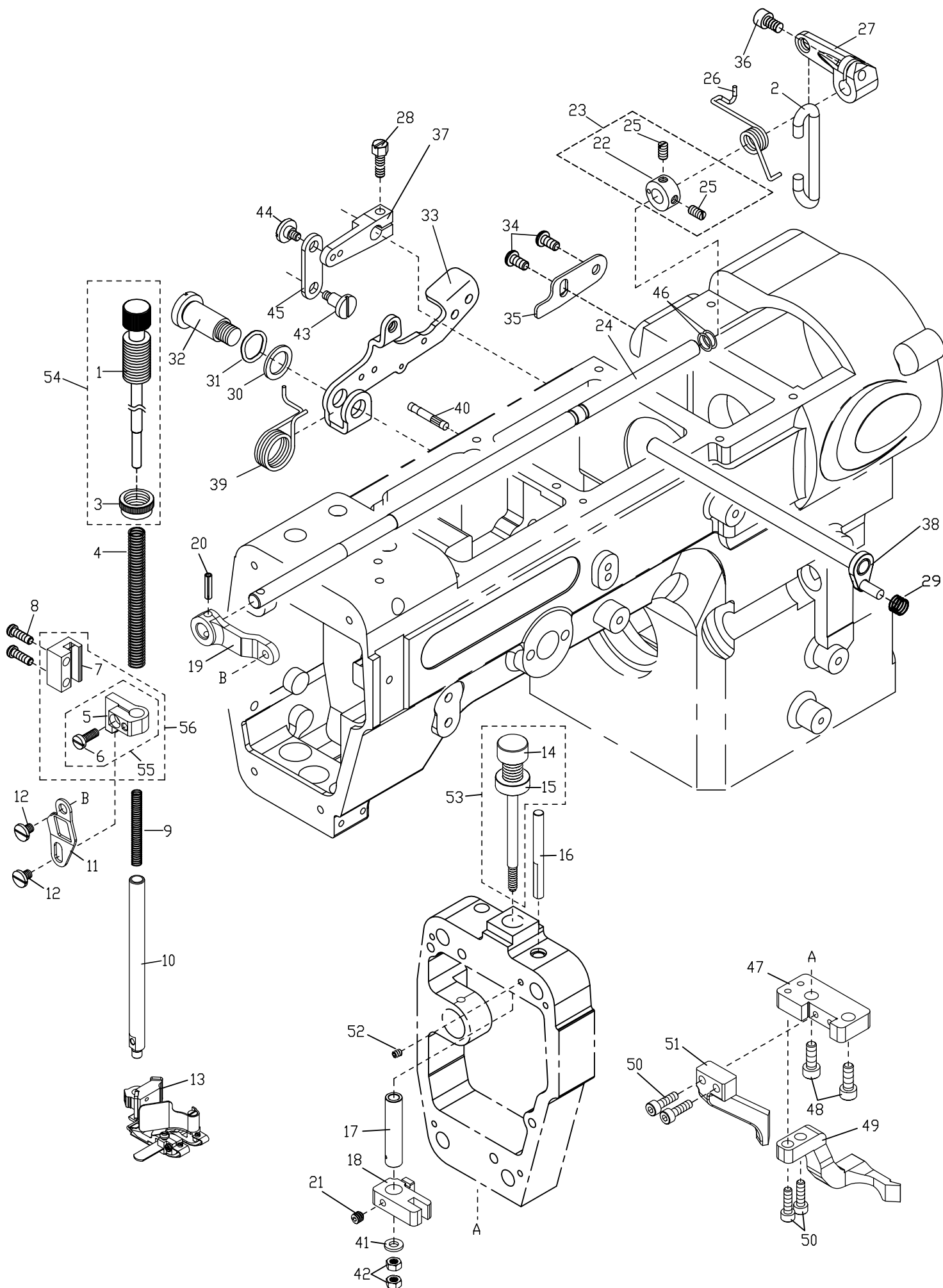
序號 Ref. No.	物料編號 Parts No.	名稱 Description	單位用量 Amt.Req.
1	8MC10600513A	螺絲 Screw (FTK-07-01 M10-1.5*5) -----	1
2	2120000438	孔塞 Plug -----	1
3	8SH32440300A	螺絲 Screw (S04-65 1/8"-44*2.5) -----	1
4	2800000704	針棒 Needle Bar -----	1
5	2210000705	針棒驅動銷 Needle Bar Clamp -----	1
6	8MB95301107K	螺絲 Screw (C0706 M4.5-0.75*11) -----	1
7	-----	針留 Needle clamp -----	1
8	66735-11-5	針 Needle --(MY1014H #10) -----	1
9	8SC24560303B	螺絲 Screw (NT67-7-23 3/32"-56*2.5) -----	4
10	2800000710	導線 Thread Guide -----	1
11	8SF36400706C	螺絲 Screw (C0712 9/64"-40*7) -----	2
12	-----	針板 Needle Plate -----	1
13	2800000713	螺樁 Screw -----	1
△14	28000007141	導模座 Lap Former Slide Block -----	1
△15	-----	疊縫導模 Lap Former (See Left Page) -----	1
16	2270000714	平衡錘 Balance Weight -----	1
17	8MM05321009A	螺絲 Screw (CT626 M5-0.8*10) -----	1
18	2270000716	墊圈 Washer -----	1
19	8MM04282507B	螺絲 Screw (FT0719 M4-0.7*25) -----	2
20	2210000720	連桿 Connecting Rod -----	1
21	90NB081113	滾針軸承 Ball Bearing (CT0719) -----	1
22	2100001404	孔塞 Plug (SH1404) -----	1
23	66800	油線 Oil Wick -----	1
24	2270000720	曲柄銷 Rod Pin -----	1
25	22000001091	孔塞 Plug (CT01019) -----	1
26	2200000722	滑塊 Slide Block (CT0722) -----	1
27	2210000727	滑道 Guide Block -----	1
28	2210000728	羊毛氈扣環 Felt Guard -----	1
29	2210000729	羊毛氈 Felt -----	1
30	22100007301	冷卻油槽 Cooler Oil Tank -----	1
31	2210000731	冷卻油槽蓋 Cooler Oil Tank Cover -----	1
32	8MN08401600E	螺絲 Screw (CT0618 M8-1*16) -----	2
33	8MB04281607A	螺絲 Screw (C0724 M4-0.7*16) -----	2
△34	8SB24560404B	螺絲 Screw (NT67-08-44 3/32"-56*3.2) -----	1
◎35	2800000735	導模 Fabric Guide -----	1
◎36	8SC24560305B	螺絲 Screw (NT67-16-27 3/32"-56*2.5) -----	2
◎37	280A0000737	導模組 Fabric Guide Asm. -----	1
※38	28000007381	導模座 Lap Former Slide Block -----	1
△39	8SB24560405B	螺絲 Screw (NT67-08-39 3/32"-56*3.2) -----	1

◎ 單切用零件 雙切時放於附件箱

※ 單切用零件 雙切時不放附件箱

△ 雙切用零件

8. FTK2500 壓腳與相關零件 Presser Foot Components For FTK2500



8. FTK2500 壓腳與相關零件 Presser Foot Components For FTK2500

序號 Ref.No.	圖號 Parts No.	名稱 Description	單位用量 Amt. Req.
1	2280000801	壓力調整螺樁 Spring Regulator -----	1
2	2240000802	吊桿 Lifter Connecting Plate -----	1
3	2220000803	螺帽 Nut -----	1
4	2800000804	彈簧 Spring -----	1
5	2800000805	壓腳棒連結臂 Presser Bar Clamp -----	1
6	8MB95301008A	螺絲 Screw (SS033-0106 M4.5-0.75*10) -----	1
7	2800000807	滑道 Guide Block -----	1
8	8MB95301407K	螺絲 Screw (C06-20 M4.5-0.75*14) -----	2
9	2210000809	彈簧 Spring -----	1
10	2800000810	壓腳棒 Presser Bar -----	1
11	2800000811	連桿 Link -----	1
12	8MB05320509G	螺樁 Stud (CT0802 M5-0.8*5) -----	2
13	-----	壓腳 Presser Foot (See Left Page) -----	1
14	2800000814	壓力調整螺樁 Spring Regulator -----	1
15	2400110081	螺帽 Nut -----	1
16	2800000816	連桿 Lever -----	1
17	2800000817	連桿 Lever -----	1
18	2800000818	調整塊 Adjusting Block -----	1
19	2800000819	連桿 Lever -----	1
20	90SP0416	彈簧銷 Spring Pin -----	1
21	8MN05320600C	螺絲 Screw (C35-02-48 M5-0.8*6) -----	1
22	2200000822	定位環 Collar -----	1
23	220A0000825	定位環組 Collar Asm.-----	1
24	22400008241	軸 Shaft -----	1
25	8MC95300606F	螺絲 Screw (CT0823 M4.5-0.75*5.5) -----	2
26	2240000826	彈簧 Spring -----	1
27	2240000827	連桿 Link -----	1
28	8MK95301407A	螺絲 Screw (CT0837 M4.5-0.75*14) -----	1
29	4UTB000411	彈簧 Spring -----	1
30	2310001012	墊圈 Washer -----	1
31	2310001207	波形墊圈 Corrugated Ring -----	1
32	2310001013	螺樁 Stud -----	1
33	22400008331	揚昇臂 Lifter Arm -----	1
34	8MP06401011A	螺絲 Screw (MT0234 M6-1*10) -----	2
35	2240000835	限位片 Stopper -----	1
36	8MM06401210A	螺絲 Screw (F1103 M6-1*12) -----	1
37	2240000806	曲柄 Drive Arm -----	1
38	2800000838	軸 Shift -----	1
39	2240000839	彈簧 Spring -----	1
40	2310001017	銷 Pin -----	1
41	2120000527	墊圈 Washer -----	1
42	8MA05320408A	螺帽 Nut -----	2
43	2310000343	螺樁 Stud -----	1
44	2310000344	螺樁 Stud -----	1
45	2240000808	連桿 Link -----	1
46	2240000846	O形油環 O Ring -----	2
47	2800000847	壓腳導柱座 Presser Foot Guide Holder -----	1
48	8MM05321609A	螺絲 Screw (RP101-11 M5-0.8*16) -----	2
49	2800000849	壓腳右導柱 Presser Foot Guide (Right) -----	1
50	8MM04281607A	螺絲 Screw (F02-02 M4-0.7*16) -----	4
51	2800000851	壓腳左導柱 Presser Foot Guide (Left) -----	1
52	8MN04280600A	螺絲 Screw (C12-23 M4-0.7*6) -----	1
53	280A0000853	壓力調整螺樁組 Spring Regulator Set -----	1
54	228A0000845	壓力調整螺樁組 Spring Regulator Set -----	1
55	280A0000855	壓腳棒連結臂組 Presser Bar Clamp Set -----	1
56	280A0000856	滑道組 Guide Block Set -----	1

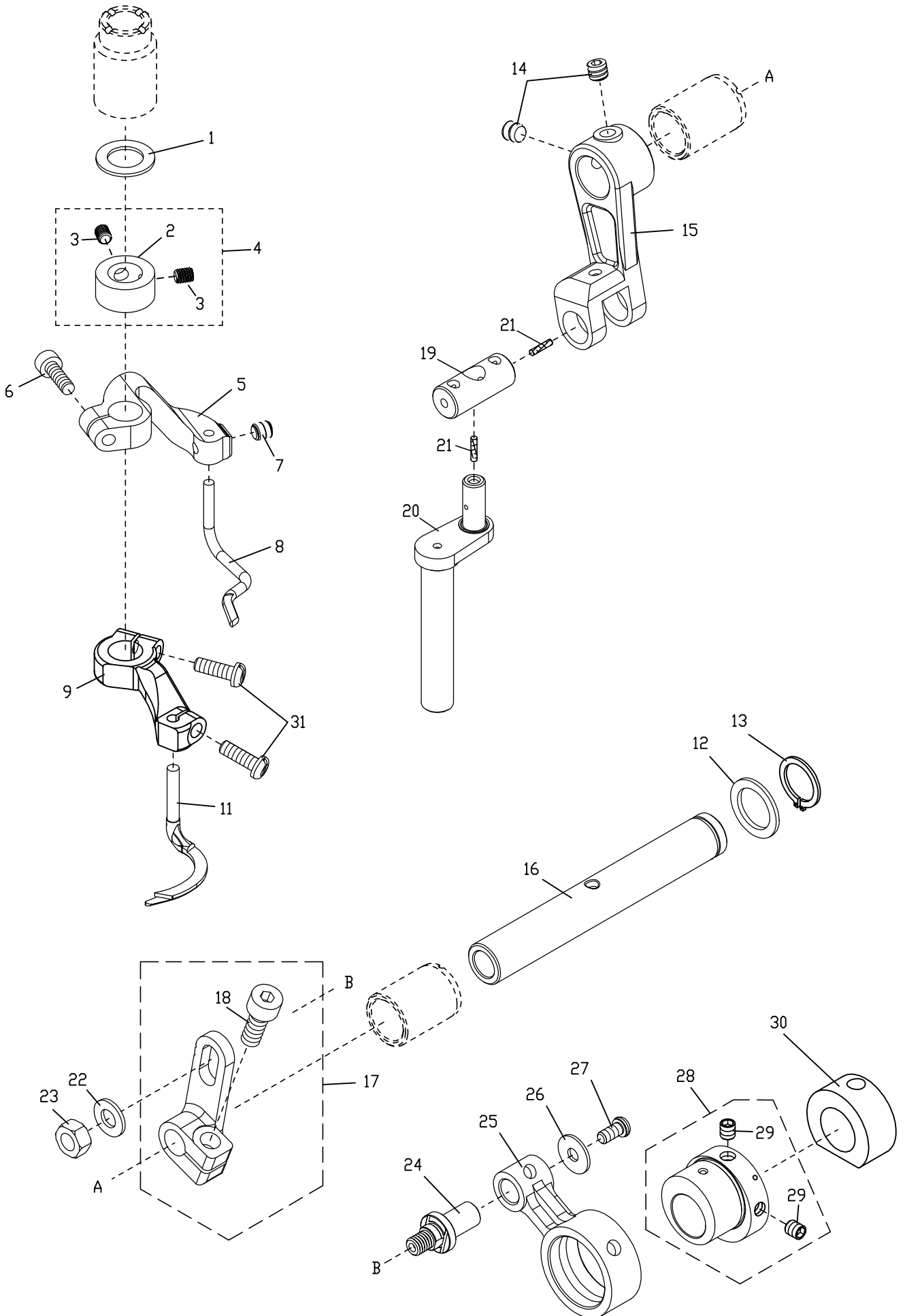
FTK2512□-460M

序號 Ref.No.	名稱 Description	針距 Distance Of Needles 4 Needle / 6.0
13	壓腳 Presser Foot	5280PF60601

FTK2501□-460M

序號 Ref.No.	名稱 Description	針距 Distance Of Needles 4 Needle / 6.0
13	壓腳 Presser Foot	5280PF01600

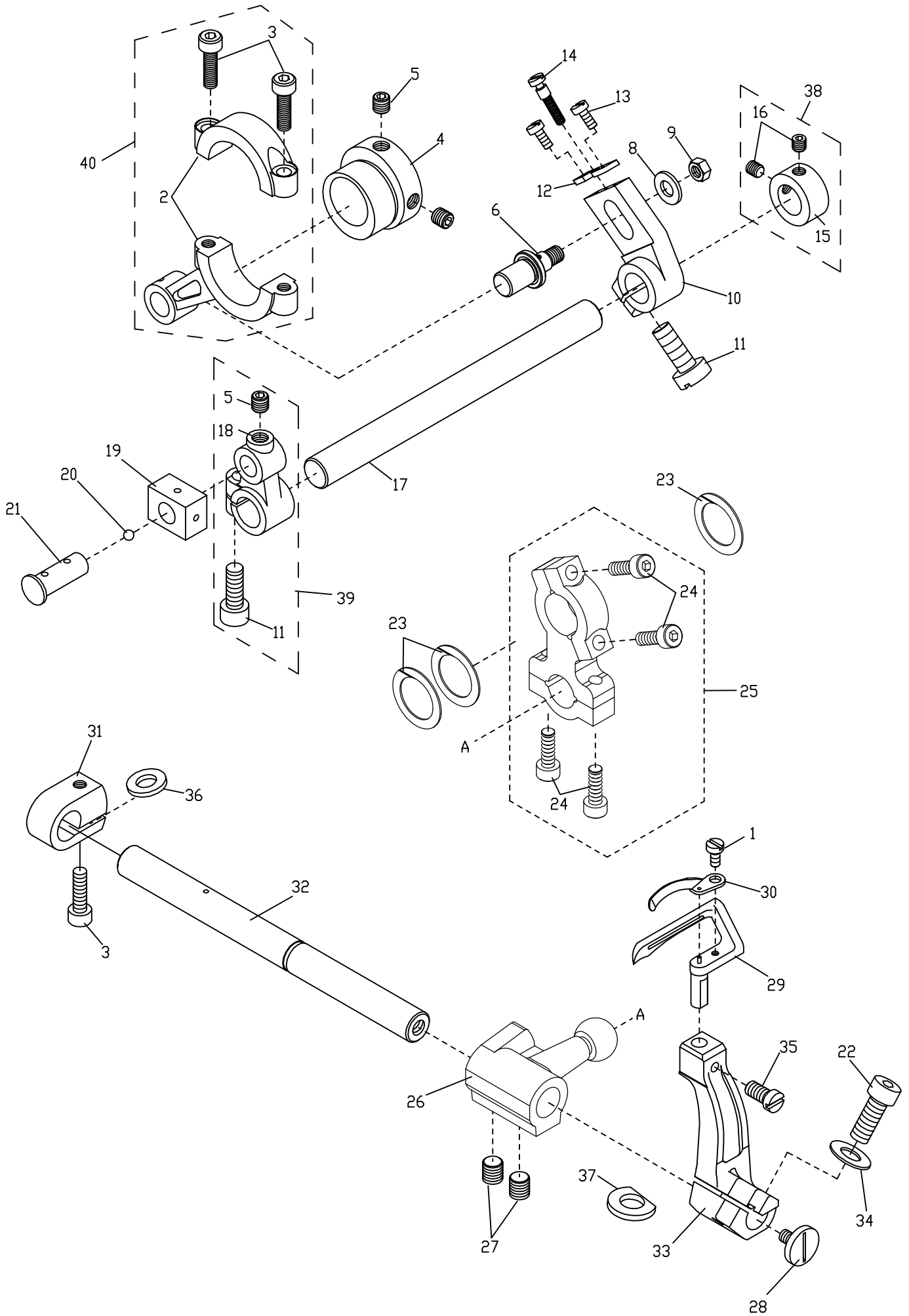
9. FTK2500 裝飾線驅動機構 Spreader Mechanism For FTK2500



9. FTK2500 裝飾線驅動機構 Spreader Mechanism For FTK2500

序號 Ref. No.	物料編號 Parts No.	名稱 Description	單位用量 Amt.Req.
1	90PW101710	墊圈 Washer (FTK-09-01)-----	1
2	2210001015	定位環 Collar -----	1
3	8MN04280400A	螺絲 Screw (CT0229 M4-0.7*4) -----	2
4	221A0001038	定位環組 Collar Asm -----	1
5	28000009051	上飾線驅動座 Top Cover Thread Pusher Holder -----	1
6	8MM04281207A	螺絲 Screw (CT02-02 M4-0.7*12) -----	1
7	8MN05320500A	螺絲 Screw (EF01-44 M5-0.8*5)-----	1
8	2800000908	上飾線推桿 Top Cover Thread Pusher -----	1
9	2800000909	擺動臂 Spreader Arm -----	1
10	-----	-----	-
11	5280SL60600	裝飾線結線鉤 Spreader -----	1
12	2800000912	墊圈 Washer -----	1
13	90SCR140	C形扣環 C Ring -----	1
14	8MN06400600A	螺絲 Screw (CT0244 M6-1*6) -----	2
15	2800000915	連桿 Connecting Rod -----	1
16	28000009161	軸 Shaft -----	1
17	2800000917	變距曲柄 Lever -----	1
18	8MM06401610A	螺絲 Screw (C06-25 M6-1*16) -----	1
19	2220000919	連桿銷 Rod Pin -----	1
20	2220000920	曲軸 Crank Shaft -----	1
21	66801	油線 Oil Wick -----	2
22	2200000910	墊圈 Washer -----	1
23	8MA06400510A	螺帽 Nut (CT0533 M6-1*5) -----	1
24	2200000909	曲柄銷 Rod Pin -----	1
25	22741109051	連桿 Connecting Rod -----	1
26	2200000908	墊圈 Washer -----	1
27	8MB04280807K	螺絲 Screw (CT0215 M4-0.7*8) -----	1
28	2274110902	偏心輪 Eccentric -----	1
29	8MN05320500E	螺絲 Screw (CT0903 M5-0.8*5) -----	2
30	2240000642	聚油環 Oil Sleeve -----	1
31	8MB04281207K	螺絲 Screw (CT0239 M4-0.7*12) -----	2

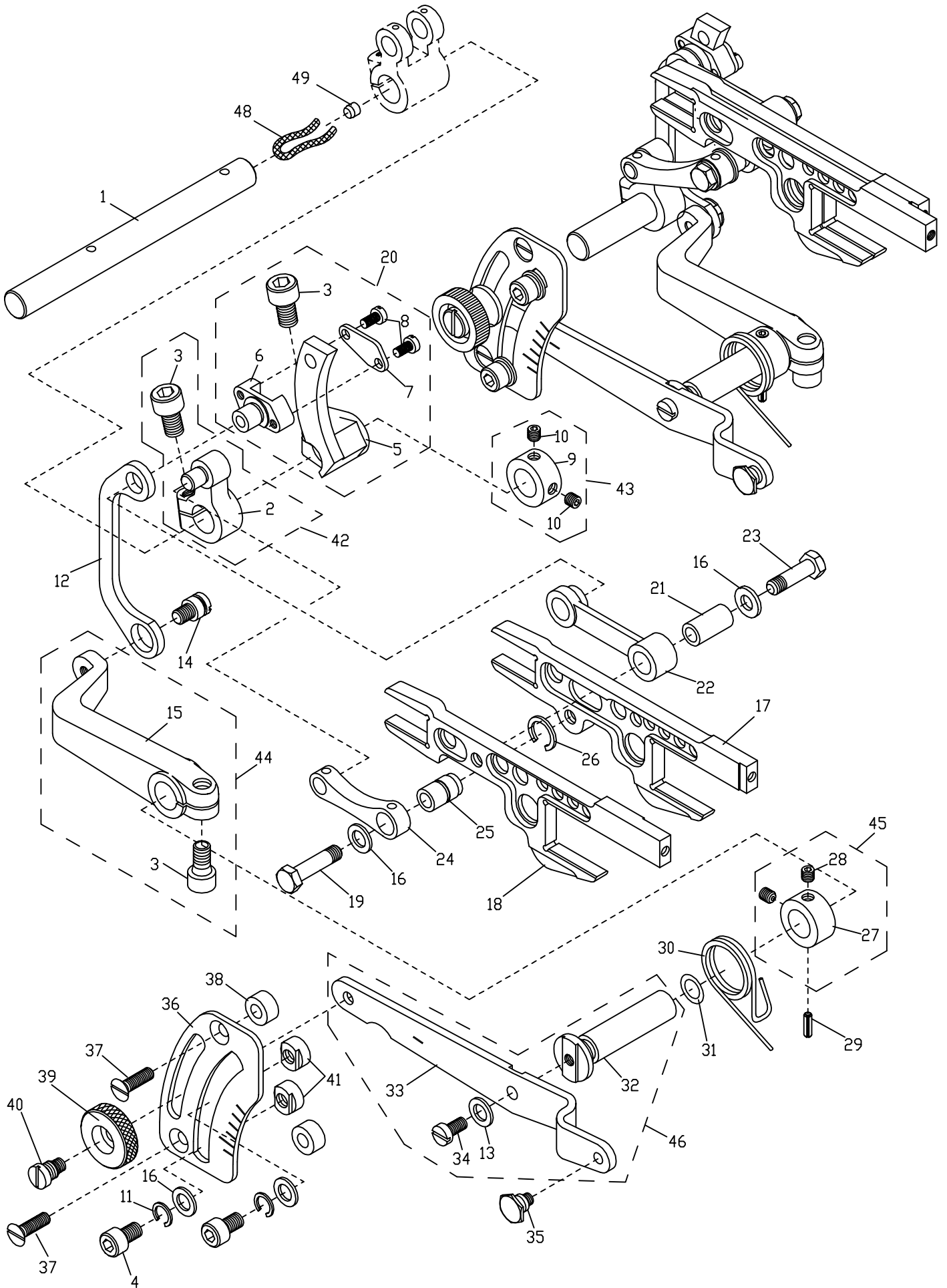
10. FTK2500 結線鉤驅動機構 Looper Driving Mechanism For FTK2500



10. FTK2500 結線鉤驅動機構 Looper Driving Mechanism For FTK2500

序號 Ref. No.	物料編號 Parts No.	名稱 Description	單位用量 Amt.Req.
1	8SB24560404A	螺絲 Screw (F1001) -----	1
2	2210001002	連桿 Connecting Rod -----	1
3	8MM04281407A	螺絲 Screw (FT1003 M4-0.7*14) -----	3
4	2210001004	偏心輪 Eccentric -----	1
5	8MN05320500E	螺絲 Screw (CT0903 M5-0.8*5) -----	3
6	2210001006	曲柄銷 Lever Pin -----	1
7	-----	-----	-
8	2200001025	墊圈 Washer (CT1025)-----	1
9	8MA05320408A	螺帽 Nut (CT1028 M5-0.8*4) -----	1
10	2210001010	變距曲柄 Adjusting Lever -----	1
11	8MM05321209A	螺絲 Screw (FT0524) -----	2
12	2210001012	卡樺 Adjusting Guide Plate -----	1
13	8MB75180505A	螺絲 Screw (CTS0218 M2.5-0.45*5) -----	2
14	2210001014	變距螺樁 Adjusting Stud -----	1
15	2210001015	定位環 Collar -----	1
16	8MN04280400A	螺絲 Screw (CT0229 M4-0.7*4) -----	2
17	2210001017	軸 Shaft -----	1
18	2210001018	曲柄 Lever -----	1
19	2210001019	驅動滑塊 Slide Block -----	1
20	2100000403	孔塞 Plug (SH0403) -----	1
21	2210001021	曲柄銷 Lever Pin -----	1
22	8MM05321609A	螺絲 Screw (RP101-11 M5-0.5*16) -----	1
23	2800001023	墊片 Washer -----	3
24	8MM04281207A	螺絲 Screw (C02-02 M4-0.7*12) -----	4
25	2800001025	連桿 Rod -----	1
26	2800001026	曲柄 Lever -----	1
27	8MN06400600A	螺絲 Screw (CT0244 M6-1*6) -----	2
28	8MB04280713A	螺絲 Screw (UH0427 M4-0.7*7) -----	1
29	5280LL60600	下結線鉤 Looper -----	1
30	5221NG00561	前導針器 Needle Guide (NGF00D1) -----	1
31	2210001031	止推夾環 Collar -----	1
32	22100010321	軸 Shaft -----	1
33	22100010331	擺動臂 Rocker Arm -----	1
34	2210001034	墊圈 Washer -----	1
35	8MB04280705K	螺絲 Screw (FT1036 M4-0.7*7) -----	1
36	2100000223	墊圈 Washer (W3)-----	1
37	2210001041	墊片 Washer -----	1
38	221A0001038	定位環組 Collar Asm. -----	1
39	221A0001039	曲柄組 Lever Asm.-----	1
40	221A0001042	連桿組 Connecting Rod Asm -----	1

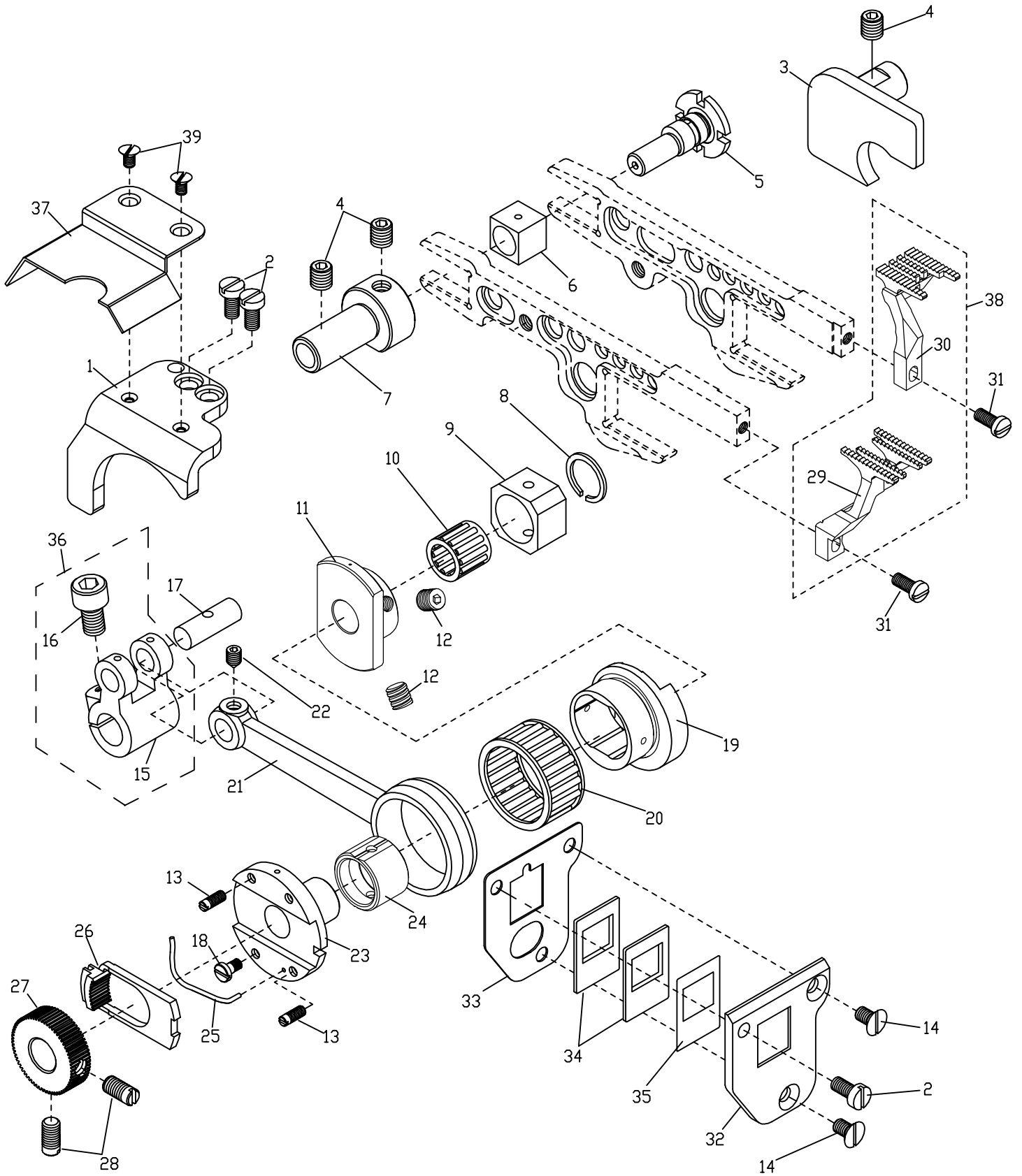
11. FT7000 / FTD7000 / FTU7011 / FTK2500 進給變換機構 Feed Control Driving



11. FT7000 / FTD7000 / FTU7011 / FTK2500 進給變換機構 Feed Control Driving

序號 Ref. No.	物料編號 Parts No.	名稱 Description	單位用量 Amt.Req.
1	22100011011	軸 Shaft -----	1
2	2210001102	曲柄 Lever -----	1
3	8MM06401210A	螺絲 Screw (FT1103 M6-1*12) -----	3
4	8MM05320809A	螺絲 Screw (CT1145 M5-0.8*8) -----	2
5	2210001105	差動變距滑道 Differential Rocker -----	1
6	2210001106	差動變距滑塊 Slide Block -----	1
7	2210001107	滑塊檔板 Slide Block Cap -----	1
8	8MB03200606K	螺絲 Screw (CT1207 M3-0.5*6) -----	2
9	2210001109	定位環 Collar -----	1
10	8MN05320500E	螺絲 Screw (CT0903 M5-0.8*5) -----	2
11	90SW050	彈簧墊圈 Spring Washer (CT0631) -----	2
12	2210001112	連桿 Link -----	1
13	2100000223	墊圈 Washer (W3)-----	1
14	2210001114	連結銷 Connecting Pin -----	1
15	2210001115	差動變換臂 Differential Lever -----	1
16	2200001025	墊圈 Washer (CT1025) -----	4
17	2210001117	主送齒驅動座 Feed Dog Seat -----	1
18	2210001118	副送齒驅動座 Feed Dog Seat -----	1
19	8MK05201808G	螺絲 Screw (FT1119 M5-0.5*18)-----	1
20	221A0001147	差動變距滑道組 Differential Rocker Asm. -----	1
21	2210001121	套管 Bushing -----	1
22	2210001122	連桿 Rod -----	1
23	8MK05202108G	螺絲 Screw (FT1123 M5-0.5*21) -----	1
24	2210001124	連桿 Rod -----	1
25	2210001125	套管 Bushing -----	1
26	2210001126	C形同心扣環 C Ring -----	1
27	2210001127	定位環 Collar -----	1
28	8MN04280400A	螺絲 Screw (CT0229 M4-0.7*4) -----	2
29	90SP0416	彈簧銷 Spring Pin (CT0820) -----	1
30	2210001130	回復彈簧 Spring -----	1
31	90OR070	O形油環 O Ring -----	1
32	2210001132	差動游標軸 Shaft -----	1
33	2210001133	差動變換桿 Lever -----	1
34	8MB04280807K	螺絲 Screw (CT0215 M4-0.7*8) -----	1
35	2210001135	懸掛螺樁 Stud -----	1
36	2210001136	差動刻記板 Regulator Plate -----	1
37	8ME04281408A	螺絲 Screw (CT1140 M4-0.7*14) -----	2
38	2200001141	隔環 Spacer (CT1141) -----	2
39	2200001147	螺帽 Nut -----	1
40	8MB06401108T	螺樁 Stud (FT71140 M6-1*11) -----	1
41	2200001142	止動環 Stopper (CT1142) -----	2
42	221A0001142	曲柄組 Lever Asm. (F1102A) -----	1
43	221A0001143	定位環組 Collar Asm. (F1109A) -----	1
44	221A0001144	差動變換臂組 Differential Lever Asm.(F1115A)-----	1
45	221A0001145	定位環組 Collar Asm. (F1127A)-----	1
46	221A0001146	差動變換桿組 Lever Set -----	1
47	-----	-----	-
48	66800	油線 Oil Wick -----	1
49	2200001029	孔塞 Plug -----	1

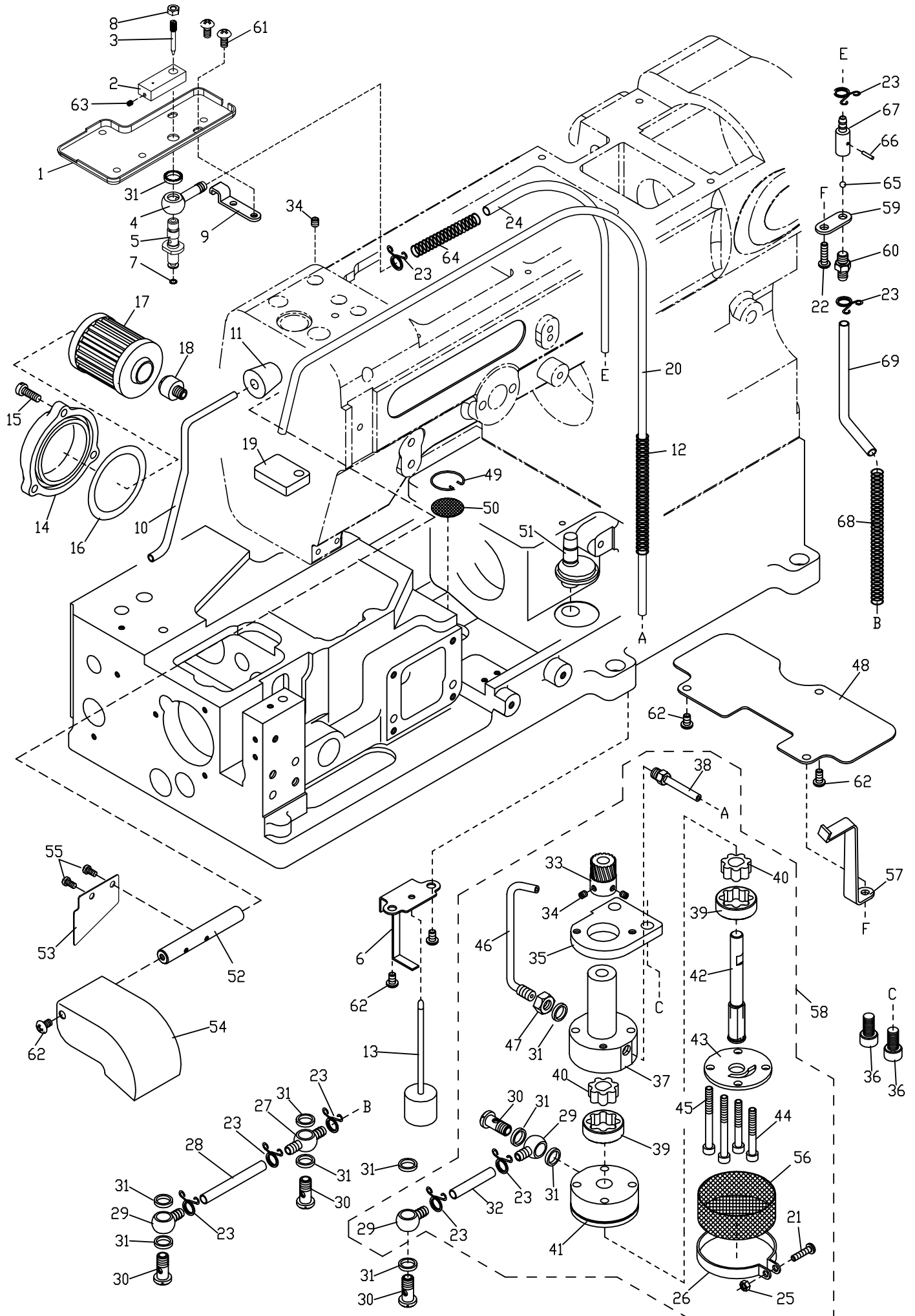
12. FTK2500 導針與送布齒驅動機構 Needle Guide And Feed Dog Driving



12. FTK2500 導針與送布齒驅動機構 Needle Guide And Feed Dog Driving

序號 Ref. No.	物料編號 Parts No.	名稱 Description	單位用量 Amt.Req.
1	22100012011	送布齒座導軌 Feed Bar Guide -----	1
2	8MB04280807K	螺絲 Screw (CT0215 M4-0.7*8) -----	3
3	2210001203	送布齒座導軌 Feed Bar Guide -----	1
4	8MN06400600A	螺絲 Screw (CT0244 M6-1*6) -----	3
5	2210001205	送布齒台調整軸 Feed Adjusting Shaft-----	1
6	2200001245	滑塊 Slide Block (CT1245) -----	1
7	2210001207	懸臂 Guide -----	1
8	2210001208	C 型同心扣環 C Riing -----	1
9	2210001209	滑塊 Slide Block -----	1
10	90NB121510	滾針軸承 Needle Bearing -----	1
11	2800001211	變距銷座 Eccentric Pin Holder -----	1
12	8MN05320600A	螺絲 Screw (CT0903 M5-0.8*5)-----	2
13	8MB03200403F	螺絲 Screw (FT1224 M3-0.8*8) -----	2
14	8ME04280708A	螺絲 Screw (CT0206 M4-0.7*5) -----	2
15	2210001215	曲柄 Shaft -----	1
16	8MM06401210A	螺絲 Screw (FT1103 M6-1*12) -----	1
17	2210001217	曲柄銷 Shaft Pin -----	1
18	8MB03200606B	螺絲 Screw (MT0851 M3-0.5*3) -----	1
19	2800001219	進給偏心輪 Eccentric -----	1
20	90NB242810	滾針軸承 Needle Bearing -----	1
21	2210001221	連桿 Rod -----	1
22	8MN04280500C	螺絲 Screw (FT1222 M4-0.7*5) -----	1
23	2800001223	變距偏心輪 Regulating Eccentric -----	1
24	2800001224	偏心環 Eccentric Link -----	1
25	2800001225	彈簧 Spring -----	1
26	2800001226	離合齒片 Regulating Plate -----	1
27	2800001227	離合齒輪 Regulating Gear -----	1
28	8MB05320805F	螺絲 Screw (FT1228 M5-0.8*8) -----	2
29	5280DF60600	副送布齒 Diff. Feed Dog -----	1
30	5280FD60600	主送布齒 Main Feed Dog -----	1
31	8MB85240807K	螺絲 Screw (FT0555 M3.5-0.6*8) -----	2
32	2210001232	滑動油封座 Rubber Case -----	1
33	2210001233	輔助油封座 Gasket -----	1
34	2210001234	從動式油封 Rubber -----	2
35	2210001235	墊片 Washer -----	1
36	221A0001236	曲柄組 Crank Asm. (F1215A)-----	1
37	22100012371	防油蓋 Cover -----	1
38	5280DG0001	送布齒組 Feed Dog Asm.-----	1
39	8ME03200606A	螺絲 Screw (C02-35 M3-0.5*6) -----	2

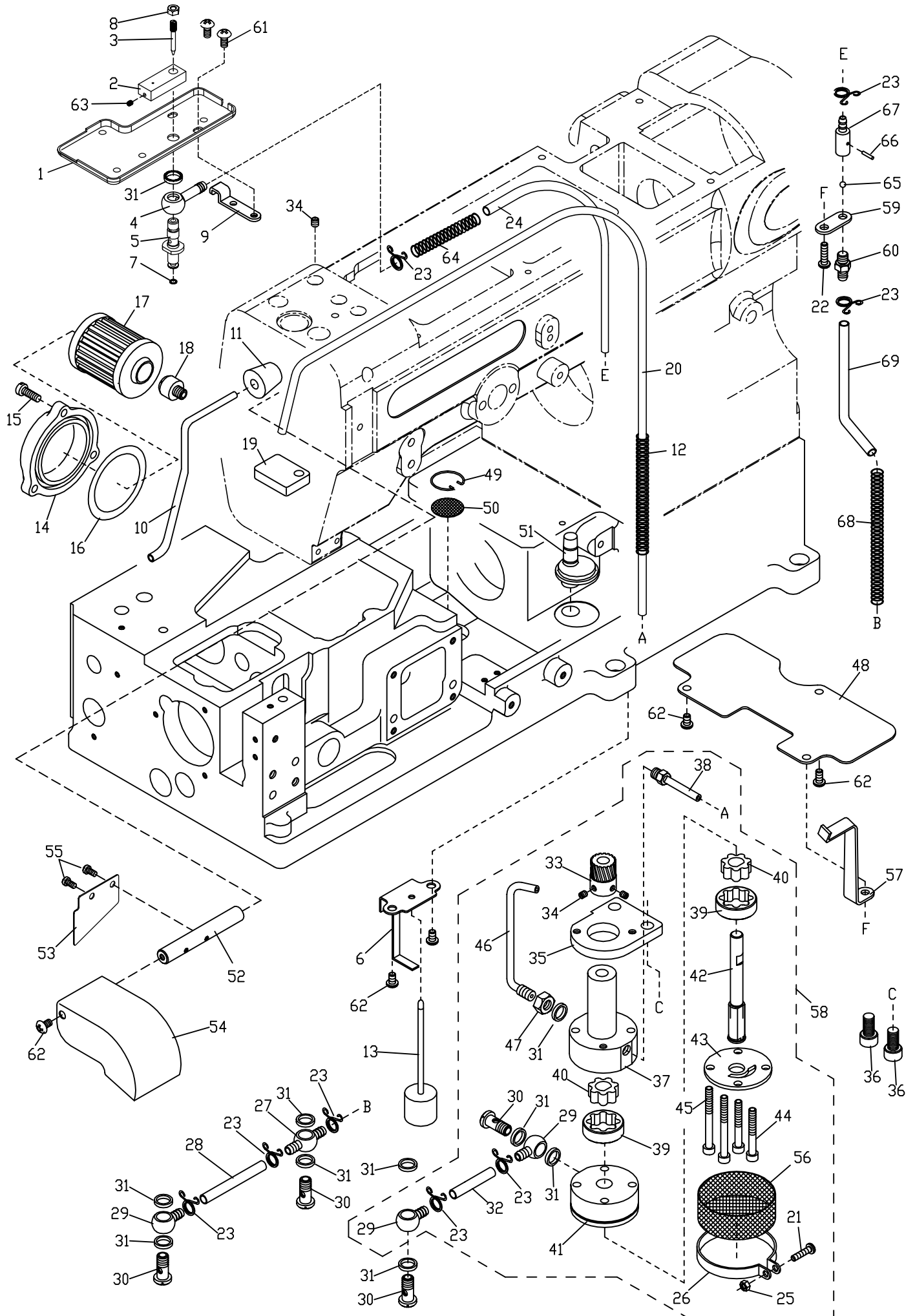
13. FTK2500 潤滑系統 Lubrication System For FTK2500



13. FTK2500 潤滑系統 Lubrication System For FTK2500

序號 Ref. No.	物料編號 Parts No.	名稱 Description	單位用量 Amt.Req.
1	2274111301	承油盤 Oil Receiver -----	1
2	2800001302	導油歧路 Lubricant Guiding Block -----	1
3	2800001303	注油嘴 Oil Pipe -----	1
4	2240001304	油管接頭 Oil Tube Joint -----	1
5	2800001305	油管 Oil Tube -----	1
6	2210001306	浮標座 Indicator Support -----	1
7	90OR030	油環 Oil Rin -----	1
8	8MA85240306B	螺帽 Nut (FT020112 M3.5-0.6*2.8) -----	1
9	22400013051	檔片 Washer -----	1
10	2210001310	油管 Oil Tube -----	1
11	2210001311	孔塞 Plug -----	1
12	22700013781	彈簧 Spring -----	1
13	2210001313	油面浮標 Indicator -----	1
14	2200001311	封蓋 Oil Filter Cover -----	1
15	8MB04281207K	螺絲 Screw (CT0239 M4-0.7*12) -----	3
16	2200001313	O形油環 O Ring -----	1
17	2100001521	過濾器 Oil Filter -----	1
18	2200001315	過濾器接頭 Oil Filter Joint -----	1
19	2200001318	羊毛氈 Felt -----	1
20	66792	油管 Oil Tube -----	1
21	8MC03201306D	螺絲 Screw (UTB0335 M3-0.5*12.5) -----	1
22	8MC04281007D	螺絲 Screw (CT0113 M4-0.7*10) -----	1
23	2100001536	夾簧 Latch Spring (SH1536) -----	8
24	66790	油管 Oil Tube -----	1
25	8MA03200306A	螺帽 Nut(FTB0111 M3-0.5*3) -----	1
26	2220001369	夾簧 Latch Spring -----	1
27	2200001327	油管接頭 Oil Tube Joint -----	1
28	2200001328	油管 Oil Tube -----	1
29	2100001535	油管接頭 Oil Tube Joint (SH1535) -----	3
30	2100001533	螺椿 Stud -----	4
31	2100001534	墊圈 Washer -----	10
32	2200001332	油管 Oil Tube -----	1
33	2200001341	蝸母 Worm Gear -----	1
34	8MN04280400A	螺絲 Screw (CT0229 M4-0.7*40) -----	3
35	2200001352	泵座 Pump Seat -----	1
36	8MM06401210A	螺絲 Screw (FT1103 M6-1*12) -----	2
37	2200001353	回收泵 Pump Body -----	1
38	2200001344	油管 Oil Tube -----	1
39	2200001354	外轉子 Outside Rotor -----	2
40	2200001355	內轉子 Inside Rotor -----	2

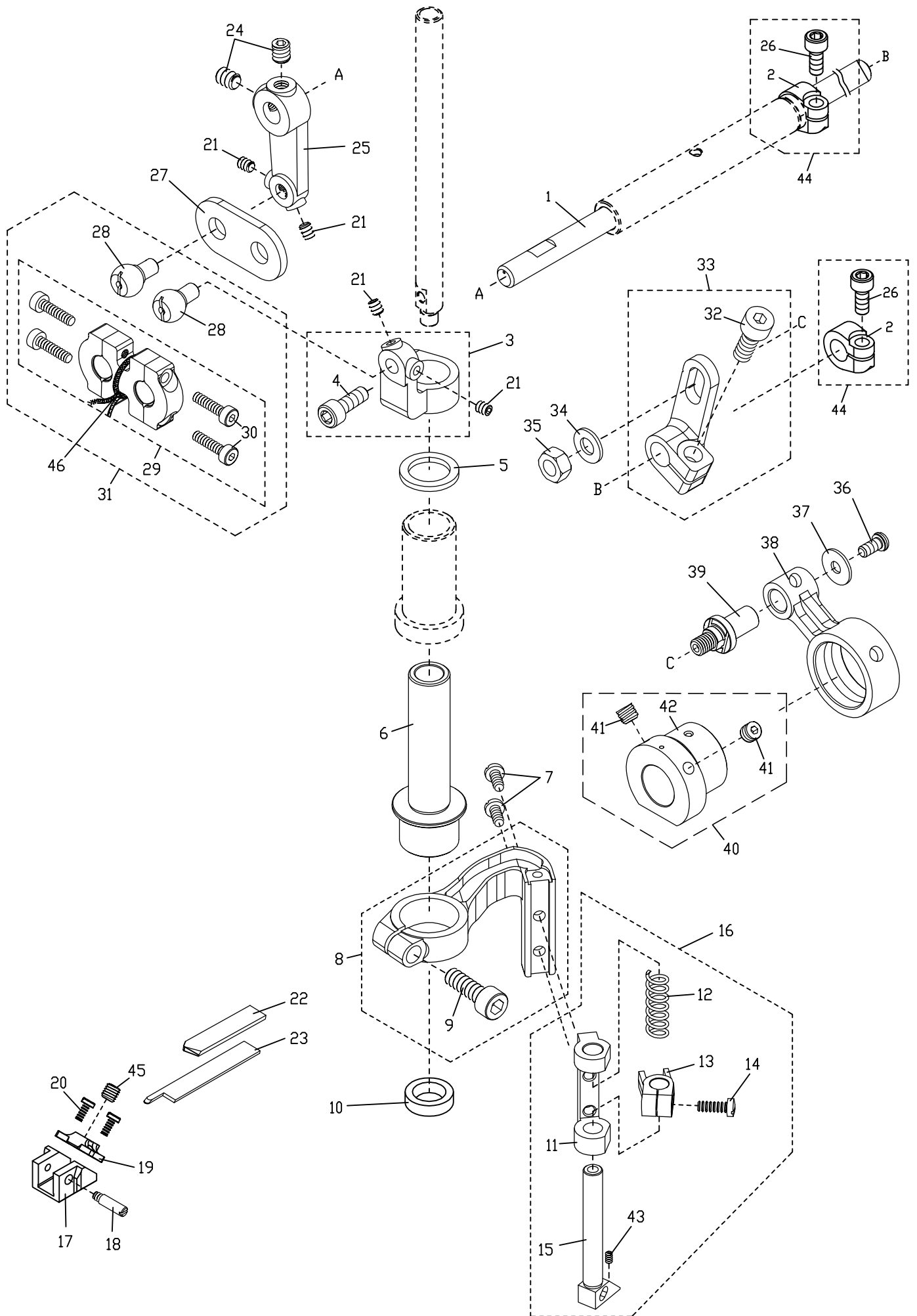
13. FTK2500 潤滑系統 Lubrication System For FTK2500



13. FTK2500 潤滑系統 Lubrication System For FTK2500

序號 Ref. No.	物料編號 Parts No.	名稱 Description	單位用量 Amt.Req.
41	2200001356	壓出泵 Rotor Case -----	1
42	2200001357	軸 Shaft -----	1
43	2200001358	封蓋 Cover -----	1
44	8MM04283007B	螺絲 Screw (CT1359 M4-0.7*30) -----	2
45	8MM04284007B	螺絲 Screw (CT1310 M4-0.7*40) -----	2
46	2200001346	噴油嘴 Nozzle -----	1
47	8MA06400510A	螺帽 Nut (CT0533 M6-1*5) -----	1
48	2210001348	隔板 Separate -----	1
49	2200001316	扣簧 Filter Screen Clamp -----	1
50	2200001317	網板 Filter Screen -----	1
51	2210001351	油面計 Oil Wick -----	1
52	2210001352	軸 Shaft -----	1
53	2800001353	防油蓋 Cover -----	1
54	2210001354	防油蓋 Cover -----	1
55	8MB03200506K	螺絲 Screw (CT0525 M3-0.5*5) -----	2
56	2220001368	油網 Oil Mesh -----	1
57	2200001348	油管支撐臂 Oil Tube Holder -----	1
58	220A0001367	泵組 Pump Asm. -----	1
59	2220001339	止回閥座 Bracket -----	1
60	2220001340	油嘴 Oil Tube Joint -----	1
61	8MC04280807D	螺絲 Screw (CT0130 M4-0.7*8) -----	2
62	8MC04280507D	螺絲 Screw (CT0122 M4-.7*5) -----	5
63	8SG24560300A	螺絲 Screw (F600130 3/32"-56) -----	1
64	2260001380	彈簧 Spring -----	1
65	2220001349	鋼珠 Steel ball -----	1
66	2220001331	銷 Pin -----	1
67	2220001325	單向閥 One Way Valve -----	1
68	2270001377	彈簧 Spring -----	1
69	66790	油管 Oil Tube -----	1

14. FTK2500 上刀機構 Upper Knife Driving Mechanism For FTK2500



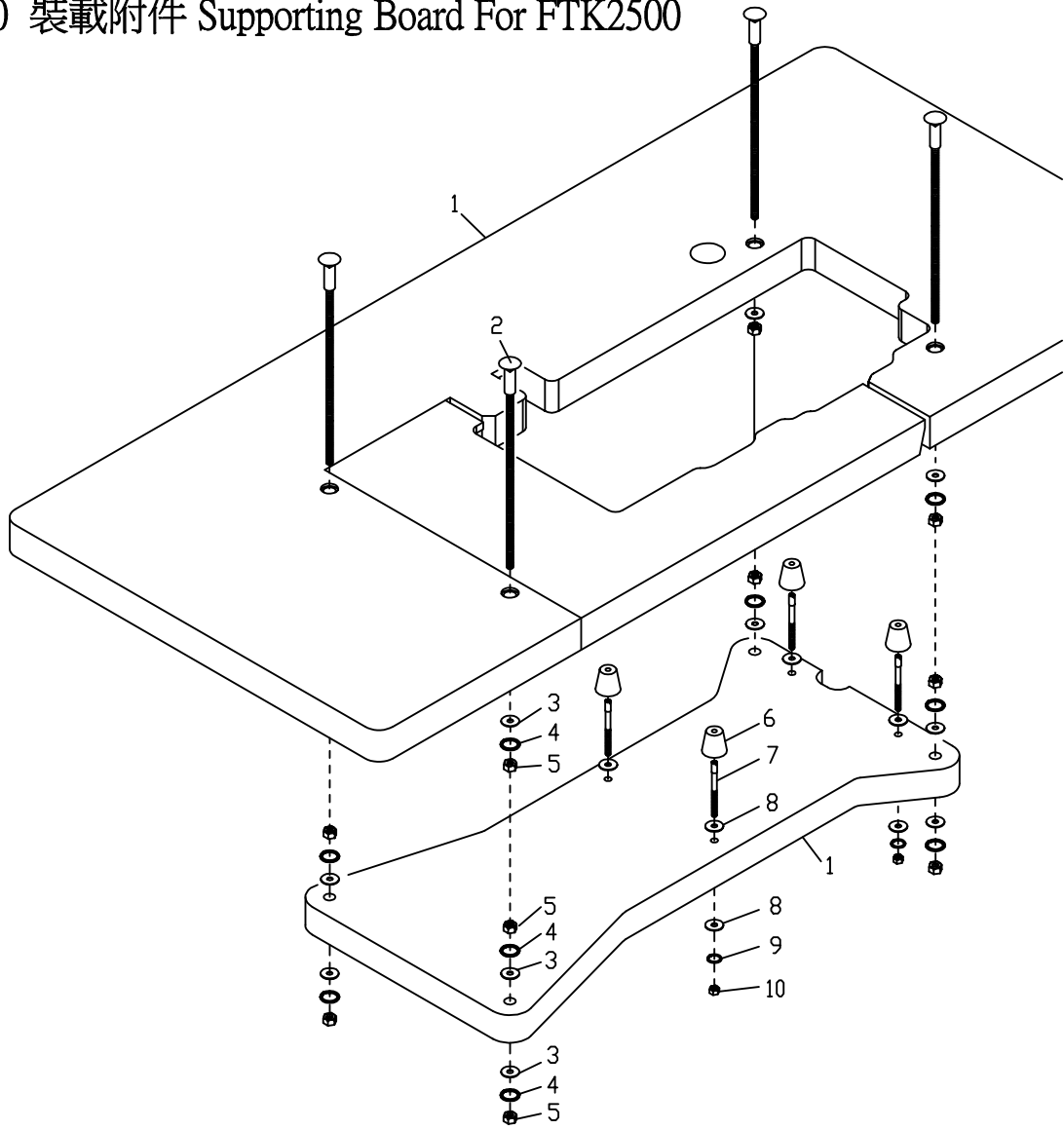
14. FTK2500 上刀機構

Upper Knife Driving Mechanism For FTK2500

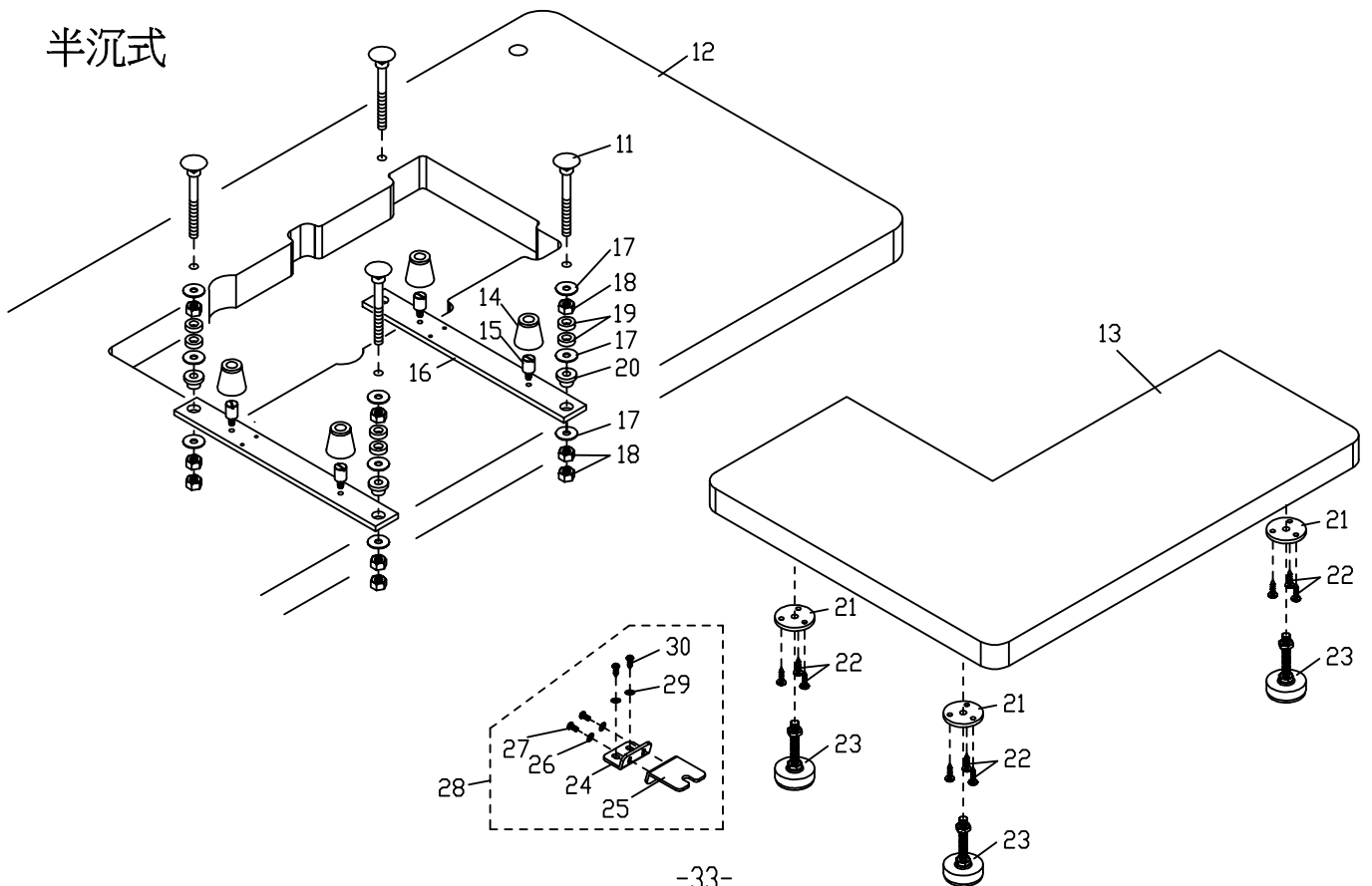
序號 Ref.No.	圖號 Parts No.	名稱 Description	單位用量 Amt. Req.
1	28000014011	軸 Shaft -----	1
2	2800001402	定位環 Collar -----	2
3	2800001403	曲柄 Lever -----	1
4	8MM05321409A	螺絲 Screw (C06-32 M4-0.7*14) -----	1
5	90PW142020	墊圈 Washer (FTK-14-05) -----	1
6	28000014061	驅動套管 Hook Driving Sleeve -----	1
7	8SC36400807S	螺絲 Screw (NT67-08-09 9/64"-40*8) -----	2
8	2800001408	支架 Knife Holder Bracket -----	1
9	8MM06401610A	螺絲 Screw (C06-25 M6-1*16) -----	1
10	2200000404	油封 Oil Seal (CT0404) -----	1
11	240010005	活動刀架 Knife Holder Shank Support -----	1
12	240010007	彈簧 Spring -----	1
13	2400100061	定向叉 Knife Holder Guide Collar -----	1
14	8SB36401006A	螺絲 Screw (NT67-08-08 9/64"-40*10) -----	1
15	2800001415	刀柄 Knife -----	1
16	280A0001416	活動刀架組 Knife Holder Shank Support Set -----	1
17	2800001417	刀座 Knife Holder -----	1
18	8MB03200304N	螺絲 Screw (FTK-14-18 M3-0.5*3) -----	1
19	28000014191	刀座輔助板 Knife Holder Auxiliary Cloth Plate -----	1
20	8MB75180605A	螺絲 Screw (CTS02-21 M2.5-0.45*6) -----	2
21	8MN04280500A	螺絲 Screw (M13-34 M4-0.7*5) -----	4
22	2400100101	壓板 Knife -----	1
23	2400100097	刀片 Upper Knife -----	1
24	8MN0640600A	螺絲 Screw (C02-44 M6-1*6) -----	2
25	2800001425	連桿 Connecting Rod -----	1
26	8MM05321209A	螺絲 Screw (F05-24 M5-0.8*12) -----	2
27	2800001427	羊毛氈 Felt -----	1
28	2800001428	球狀接頭 Ball Stud -----	2
29	2800001429	連桿 Connecting Rod -----	1
30	8MM85241407A	螺絲 Screw (NT67-08-29 M3.5-0.6*14) -----	4
31	280A0001431	連桿組 Connecting Rod Asm.-----	1
32	8MM06401410A	螺絲 Screw (UH08-08 M6-1*14) -----	1
33	2800001433	變距連桿 Lever -----	1
34	2200000910	墊圈 Washer -----	1
35	8MA06400510A	螺帽 Nut (CT0533 M6-1*5) -----	1
36	8MB04280807K	螺絲 Screw (CT0215 M4-0.7*8) -----	1
37	2200000908	墊圈 Washer -----	1
38	22741109051	連桿 Connecting Rod -----	1
39	2200000909	曲柄銷 Rod Pin -----	1
40	280A0001440	偏心輪組 Eccentric Set -----	1
41	8MN05320500E	螺絲 Screw (CT0903 M5-0.8*5) -----	2
42	2800001442	偏心輪 Eccentric -----	1
43	8SG24560400A	螺絲 Screw (NT67-08-16 3/32"-56*4) -----	1
44	280A0001444	定位環組 Collar Set. -----	2
45	8MN05320600A	螺絲 Screw (M7-29 M5-0.8*6)-----	1
46	66800	油線 Oil Wick -----	1

15. FTK2500 裝載附件 Supporting Board For FTK2500

全沉式



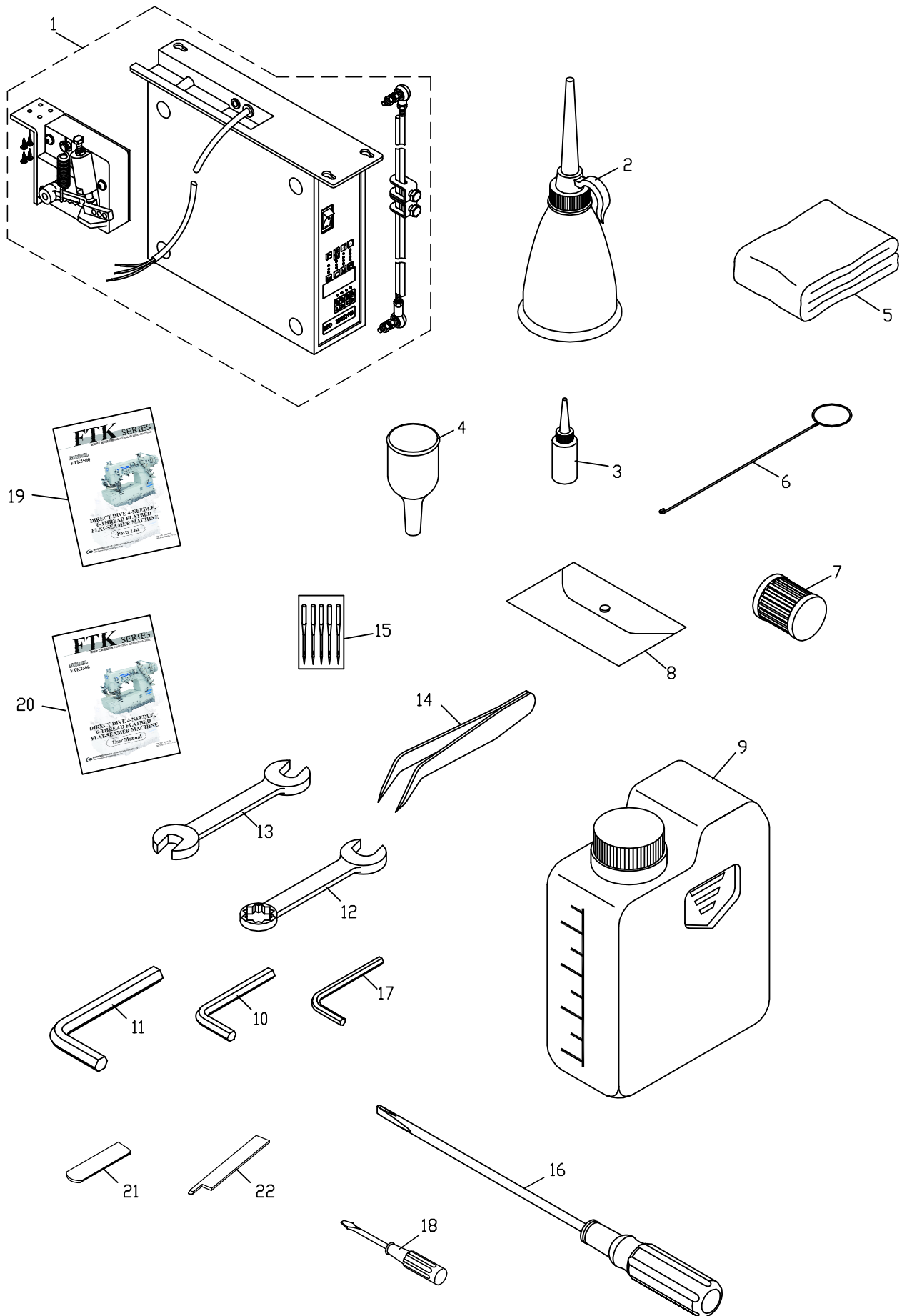
半沉式



15. FTK2500 裝載附件 Table Components For FTK2500

序號 Ref. No.	物料編號 Parts No.	名稱 Description	單位用量 Amt.Req.
1	66812-11	全沉式車板 Table -----	1
2	2800001502	螺椿 Bolt -----	4
3	90SW080	彈簧墊圈 Spring Wahsher -----	12
4	2800001504	墊圈 Washer -----	12
5	8MA08500514A	螺帽 Nut (UTC1-01-27 M8-1.25*4.5) -----	12
6	66943	減震橡膠 Rubber Cushion -----	4
7	8MB06406507B	螺椿 Bolt (CT1507 M6-1*65) -----	4
8	2200001504	墊圈 Washer -----	8
9	90SW060	彈簧墊圈 Spring Wahsher -----	4
10	8MA06400612A	螺帽 Nut (SH0242 M6-1*6) -----	4
11	8SC79189627B	懸吊螺椿 Bolt (FT1509 5/16"-18*96) -----	4
12	66812-12	半沉式車板 Semi-submerged Type Table-----	1
13	66812-13	輔助桌板 Auxiliary Table -----	1
14	66945	減震橡膠 Rubber Cushion -----	4
15	8MB06401012M	螺椿 Bolt (FT1508 M6-1*10) -----	4
16	2210001507	車頭承板 Supporting Board -----	2
17	2200001510	墊圈 Washer -----	12
18	8SA79180613A	螺帽 Nut (CT1514 5/16"-18*6) -----	12
19	2210001505	隔環 Spacer -----	8
20	2200001511	橡膠環 Rubber Washer -----	4
21	2800001521	可調桌腳基座 Adjustable Foot Base -----	3
22	8WD45001900A	木螺絲 Wood Screw (NT67-AL013-15)-----	9
23	2800001523	可調腳座 Adjustable Feet -----	3
24	2800001524	輔助桌板固定板(下) Auxiliary Table Fixed Plate (Lower)-----	1
25	2800001525	輔助桌板固定板(上) Auxiliary Table Fixed Plate (Upper)-----	1
26	90PW040	墊圈 Washer -----	2
27	8MB04280807K	螺絲 Screw (CT0215 M4-0.7*8) -----	2
28	280A0001528	輔助桌板固定板組 Auxiliary Table Fixed Plate Set -----	1
29	2100001241	墊圈 Washer -----	2
30	8WD30000015B	木螺絲 Wood Screw (UTB1-04-38)-----	2

16. FTK2500 工具及附件 Accesseries For FTK2500

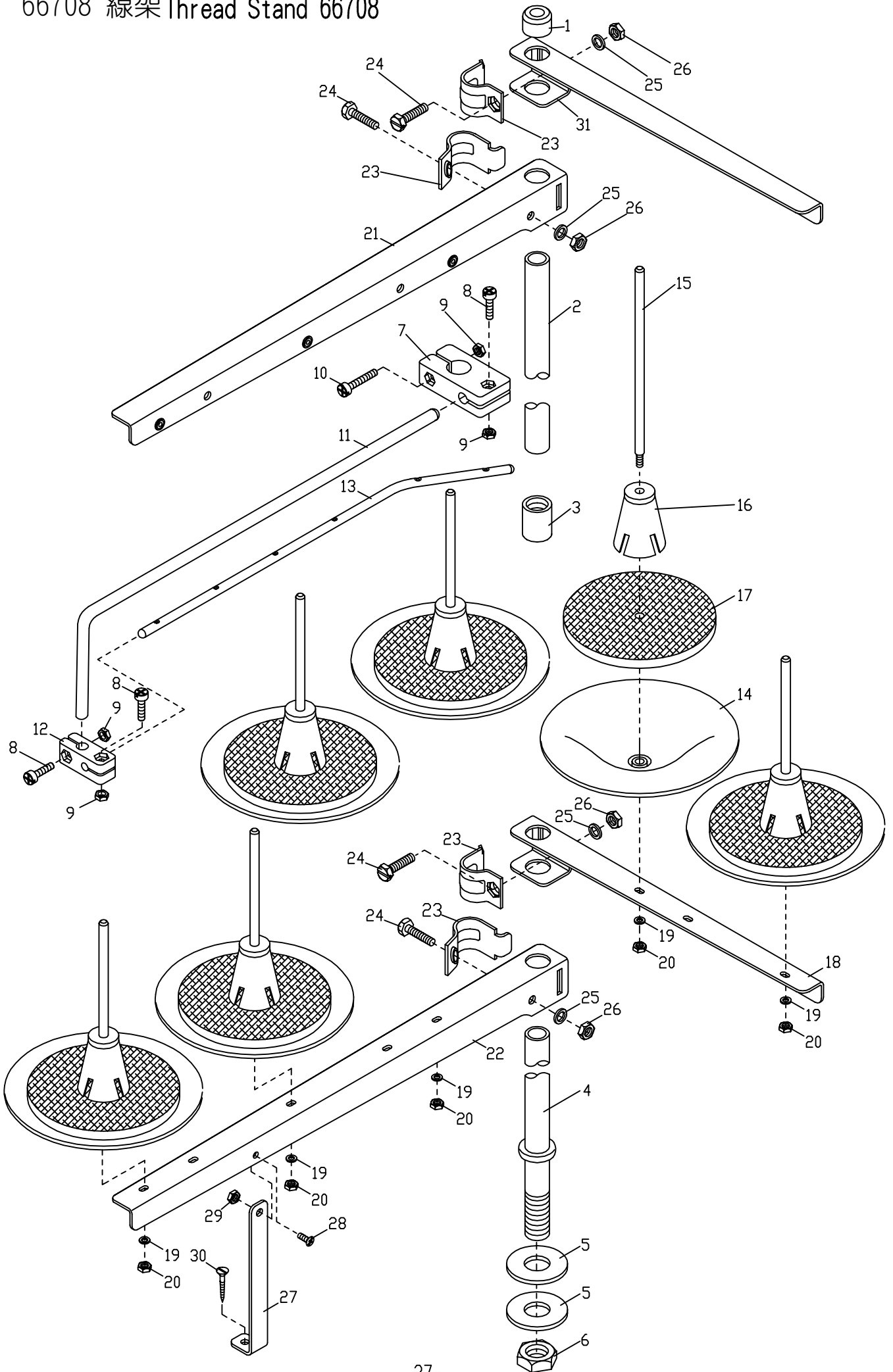


16. FTK2500 工具及附件 Accessories For FTK2500

序號 Ref. No.	物料編號 Parts No.	名稱 Description	單位用量 Amt.Req.
*1	-----	控制箱組 Control Box Asm. -----	1
2	66721	油壺 Oiler -----	1
3	66720	矽油 Silicon Oil -----	1
4	66722	漏斗 Oil Funnel -----	1
5	66848	防塵罩 Mechine Cover -----	1
6	66840	穿線鋼絲 Threading Bar -----	1
7	2100001521	過濾器 Oil Filter -----	1
8	66831	工具袋 Tools Bag -----	1
9	66715	油罐 Oil Container -----	1
10	66636	六角扳手 Spanner 3MM -----	1
11	66637	六角扳手 Spanner 4MM -----	1
12	66612	梅花扳手 Wrench 10MM -----	1
13	66613	開口扳手 Wrench 7/8MM -----	1
14	66690	鑷子 Tweezer -----	1
15	66735-11-5	備用針 Retainer Needle -----	1
16	66671	木柄一字起子 Wooden Handle Flat Screw Driver -----	1
17	66639	六角扳手 Spanner 1.5MM -----	1
18	66667	小起子 Screw Driver (Small) -----	1
19	6FTK63OB-01-17-05	零件冊 Parts List-----	1
20	6FTK62MB-01-17-05	使用說明書 Instruction Manual-----	1
21	5240PF01097	固定刀片 Lower Knife -----	1
22	2400100097	活動刀片 Upper Knife -----	1

* 控制箱種類依馬達及電、氣切線裝置購買

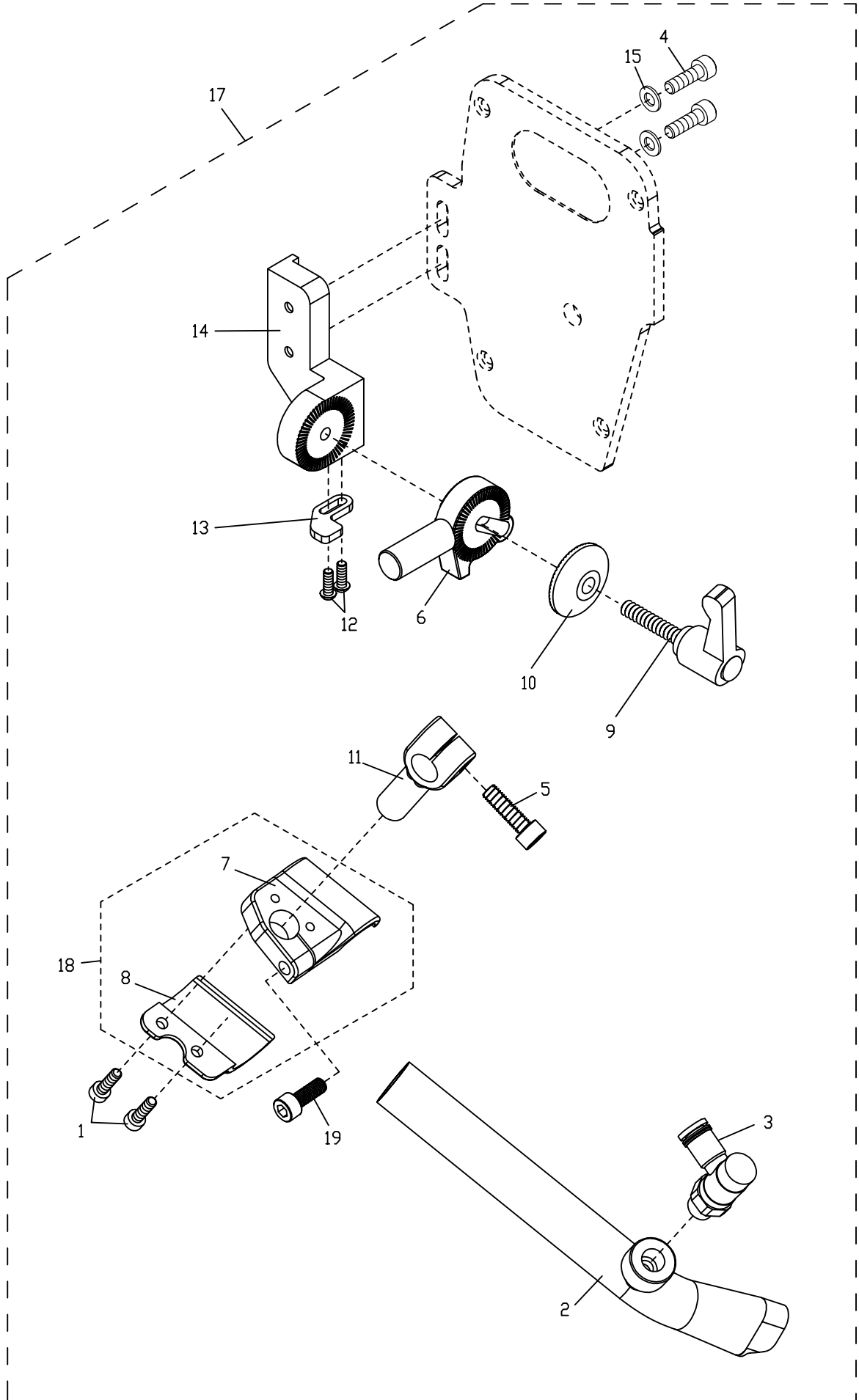
17. 66708 線架 Thread Stand 66708



17. 66708 線架 Thread Stand 66708

序號 Ref. No.	物料編號 Parts No.	名稱 Description	單位用量 Amt. Req.
1	667051	柱帽 Rod Cover -----	1
2	667052	上柱 Upper Thread Stand Rod -----	1
3	667053	接頭 Joint -----	1
4	667054	下柱 Lower Thread Stand Rod -----	1
5	667055	墊圈 Washer -----	2
6	667056	螺帽 Nut -----	1
7	667057	接頭 Bracket -----	1
8	667058	螺絲 Screw -----	3
9	667059	螺帽 Nut -----	4
10	6670510	螺絲 Screw -----	1
11	6670511	旋臂 Arm -----	1
12	6670512	接頭 Bracket -----	1
13	6670513	導線桿 Thread Guide -----	1
14	6670514	線盤 Spool Set for SH6005 -----	6
15	6670515	線盤軸 Spool Pin -----	6
16	6670516	定心錐 Spool Retaining Lup -----	6
17	6670517	緩衝墊 Seat -----	6
18	6670522	線盤座 Spool Set Bracket -----	1
19	6670519	彈簧墊圈 Spring Washer -----	5
20	6670520	螺帽 Nut -----	5
21	6670521	導線臂 Thread Guide -----	1
22	6670522	線盤座 Spool Set Bracket -----	1
23	6670523	夾板 Clamp -----	4
24	6670524	螺絲 Screw -----	4
25	6670525	彈簧墊圈 Spring Washer -----	4
26	6670526	螺帽 Nut -----	4
27	6670527	撐桿 Support Rod -----	1
28	6670528	螺絲 Screw -----	1
29	6670529	螺帽 Nut -----	1
30	6670530	木螺絲 Wood Screw -----	1
31	6670521	導線臂 Thread Guide -----	1

18. FTK2500 吸風管裝置 Suction Pipe Type For FTK2500



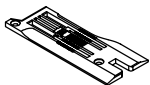
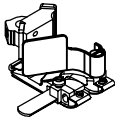

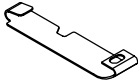
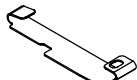

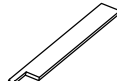
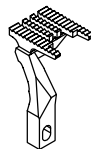
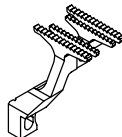
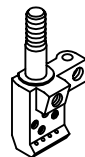
18. FTK2500 吸風管裝置 Suction Pipe Type For FTK2500

序號 Ref. No.	物料編號 Parts No.	名稱 Description	單位用量 Amt.Req.
1	8MM04281407A	螺絲 Screw (F10-03 M4-0.7*14) -----	2
2	2800001802	吸屑管 Suction Pipe Unit -----	1
3	4CV0220514	調速閥 Air Regulator -----	1
4	8MM05321609A	螺絲 Screw (RP101-11 M5-0.8*16) -----	2
5	8MM06402010A	螺絲 Screw (S04-44 M6-1*20) -----	1
6	2800001806	圓棒 Round bar-----	1
7	2800001807	承座 Bracket-----	1
8	2800001808	承座 Bracket-----	1
9	4EG0300105	板手 Adjustable Hand Levers-----	1
10	4CV0220504	墊圈 Washer-----	1
11	4CV0220508	接頭 Connector-----	1
12	8MP85241006A	螺絲 Screw (CT901-22 M3.5-0.6*10) -----	2
13	2800001813	限位片 Stopper -----	1
14	2800001814	支架 Knife Holder Bracket -----	1
15	90PW050	墊圈 Washer -----	2
16	-----	-----	-
17	280A0001817	吸風管組 Suction Pipe Asm. -----	1
18	280A0001818	承座組 Bracket Set. -----	1
19	8MM06401610A	螺絲 Screw (CT0625 M6-1*16) -----	1

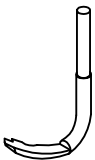


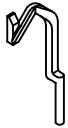


FTK2501 GAUGE PARTS LIST

FTK2501-0-0 □□□ M
FTK2501-0- □□□ M

FTK2501-0-0 □□□ M/KI006
FTK2501-0- □□□ M/KI006

Main Parts 更換零件											針	針距
											數	距
4	5.2	5280TP60521	5280PF01600	5280PF60600B	5280PF01600J	5280PF01600K	5240PF01097	2400100097	5280FD60600	5280DF60600	組件 5280DG0001	5280NC60520
3	5.6	5280TP60561										5280NC60560
4	6.0	5280TP60601										5280NC60600




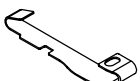

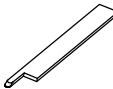
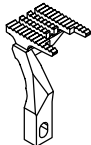
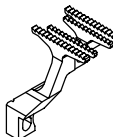
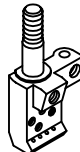
-4-

Main Parts 更換零件							針	針距
							數	距
4	5.2	5280SL60600	5280LL60600	5221NG00561	5221NG00562	2800000735	MY1014H #10	
3	5.6							
4	6.0							



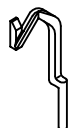
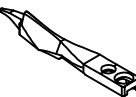
FTK2512 GAUGE PARTS LIST

FTK2512-0-0□□□ M
FTK2512-0-□□□ M

FTK2512-0-0□□□ M/KI006
FTK2512-0-□□□ M/KI006

Main Parts 更換零件 針距 Needle m.m	Needle	m.m	Throat plate 針鉸	 Presser foot asm 壓腳	 Cloth Guide Plate 導布板	 Presser foot Spring Plate (Left) 壓腳彈簧板(左)	 Presser foot Spring Plate (Right) 輔助壓腳底(右)	 Lower Knife 固定刀片	 Upper Knife 活動刀片	 Main feed dog 主送布齒	 Diff feed dog 副送布齒	 Needle clamp 針留
	3	5.6	5280TP60561	5280PF60601	5240PF01021	5280PF60600J	5280PF60601K	5240PF01097	2400100097	組件 5280DG0001		5280NC60560
	4	6.0	5280TP60601									5280NC60600




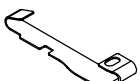

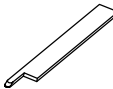
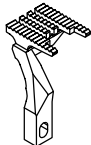
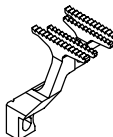
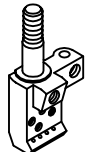
-42-



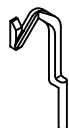
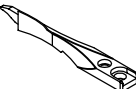
Main Parts 更換零件 針距 Needle m.m	Needle	m.m	Upper looper 上結線鉤	 Lower looper 下結線鉤	 Needle guide 前導針	 Needle guide 後導針	 Lap former 疊縫導模	Needle 針
	3	5.6	5280SL60600	5280LL60600	5221NG00561	5221NG00562	5280FG0001	MY1014H #10
	4	6.0						

FTK2512 GAUGE PARTS LIST

FTK2512-0-0□□□ H
FTK2512-0-□□□ H

FTK2512-0-0□□□ H/KI006
FTK2512-0-□□□ H/KI006

Main Parts 更換零件 針距 Needle m.m	Throat plate 針鉞	 Presser foot asm 壓腳	 Cloth Guide Plate 導布板	 Presser foot Spring Plate (Left) 壓腳彈簧板(左)	 Presser foot Spring Plate (Right) 輔助壓腳底(右)	 Lower Knife 固定刀片	 Upper Knife 活動刀片	 Main feed dog 主送布齒	 Diff feed dog 副送布齒	 Needle clamp 針留	
											4
3	5.6	5280TP60561	5280PF60601	5240PF01021	5280PF60600J	5280PF60601K	5240PF01097	2400100097	組件 5280DG0001		5280NC60560
4	6.0	5280TP60601									5280NC60600

Main Parts 更換零件 針距 Needle m.m	Upper looper 上結線鉤	 Lower looper 下結線鉤	 Needle guide 前導針	 Needle guide 後導針	 Lap former 疊縫導模	Needle 針	
							4
3	5.6	5280SL60600	5280LL60600	5221NG00561	5221NG00562	5280FG0002	MY1014H #10
4	6.0						

FTK2512 GAUGE PARTS LIST

FTK2512-0-0□□□ S
FTK2512-0-□□□ S

FTK2512-0-0□□□ S/KI006
FTK2512-0-□□□ S/KI006

Main Parts 更換零件 針距 Needle m.m	Needle	m.m	Throat plate 針鉞	Presser foot asm 壓腳	Cloth Guide Plate 導布板	Presser foot Spring Plate (Left) 壓腳彈簧板(左)	Presser foot Spring Plate (Right) 輔助壓腳底(右)	Lower Knife 固定刀片	Upper Knife 活動刀片	Main feed dog 主送布齒	Diff feed dog 副送布齒	Needle clamp 針留
	3	5.6	5280TP60561	5280PF60601	5240PF01021	5280PF60600J	5280PF60601K	5240PF01097	2400100097	組件 5280DG0002		5280NC60560
	4	6.0	5280TP60601							5280NC60600		

Main Parts 更換零件 針距 Needle m.m	Needle	m.m	Upper looper 上結線鉤	Lower looper 下結線鉤	Needle guide 前導針	Needle guide 後導針	Lap former 疊縫導模	Needle 針
	3	5.6	5280SL60600	5280LL60600	5221NG00561	5221NG00562	5280FG0001	MY1014H #10
	4	6.0						